



## microTargeting™ Platform Biopsy Kit 2.5

### Directions for Use

L011-41 (Rev. B0, August 2009)



Kit includes: (1) SUB42-02-2.5 Center Positioner,  
(1) SUB42-03-2.5 Offset Positioner, (1) SA8-16-2.5 Depth Stop

**Copyright Notice:** The contents of this manual are the property of FHC, Inc. Any reproduction in whole or in part is strictly prohibited.

**Disclaimer:** FHC, Inc. does not accept liability for injury or damage to equipment that may result from misuse of the microTargeting™ Drive system or its components.



European Conformity. This device fully complies with MDD Directive 93/42/EEC and legal responsibilities as a manufacturer are with FHC, Inc. 1201 Main Street, Bowdoin, ME 04287 USA

microTargeting™ is a trademark of FHC Corporation.

**! USA**

Rx only. **Caution** Federal law in the USA restricts the sale, distribution or use of these products to, by or on the order of a licensed medical practitioner.

**FHC**

"Innovation through collaboration"



FHC, Inc.  
1201 Main Street  
Bowdoin, ME 04287 USA  
Fax: 207-666-8292  
E-mail: fhcinc@fh-co.com  
www.fh-co.com



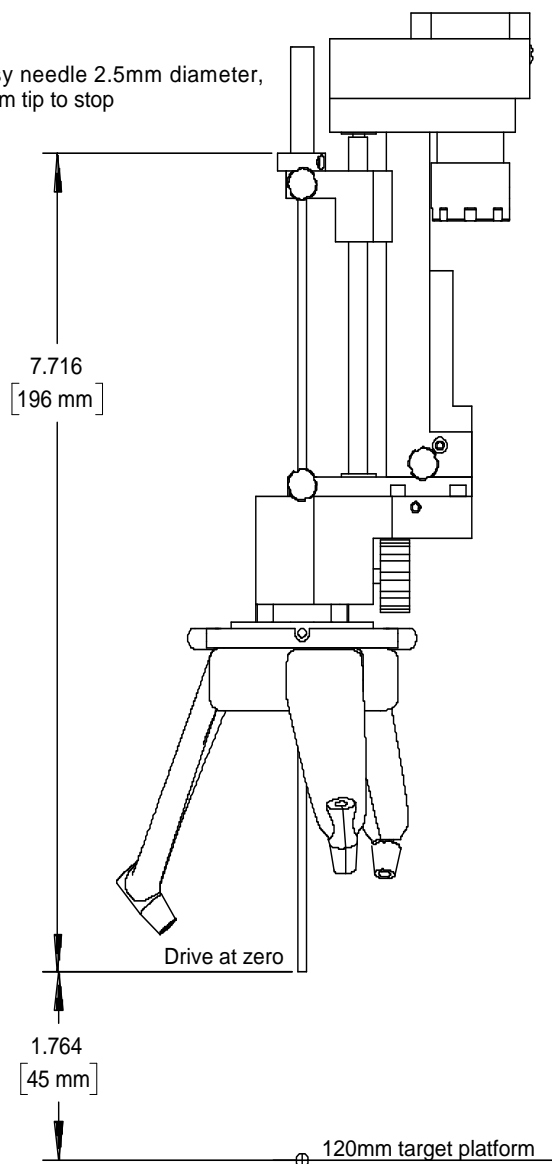
24 Hour Technical Service:  
1-800-326-2905 (US & Canada)  
+1-207-666-8190



FHC Europe  
(TERMOBIT PROD srl)  
129 Barbu Vacarescu Str,  
Sector 2  
Bucharest 020272  
Romania



Biopsy needle 2.5mm diameter,  
196mm tip to stop



This kit is for use with 2.5 mm diameter Leibinger biopsy needle 80-02534 S6 with a length from depth stop to probe tip of 196 mm. It may be used to obtain tissue samples within a 9 mm radius of a selected target point. Not for use with Platforms with greater than 125mm nominal target depth.

**Warning:** Other manufacturer's biopsy probes or different lengths or diameters of biopsy probes will affect the target depth, fit, or accuracy of the kit, and should not be used without consulting FHC. Other adaptations are available.

#### Assembly instructions:

- Refer to the microTargeting™ Platform user Manual A989-02 for instructions on the use of the microTargeting™ Platform, microTargeting™ Drive, Center and Offset Positioners, and for sterilization and assembly instructions. Aside from the single lumen replacing the Matrix array's 5 lumens, and the differences noted in the instructions below, they are sterilized and used in the same way.
- The Depth Stop should not be immediately positioned on the probe, but should be assembled to the microTargeting™ Drive carriage so that it can provide guidance for the probe during insertion.
- After the microTargeting™ Platform is mounted on the patient, and the burrhole is drilled, set the Drive at zero and install the Platform accessories and microTargeting™ Drive with depth stop on the Platform.
- Carefully and slowly slide the biopsy probe through the kit's Depth Stop in the Drive carriage and then into the Positioner lumen, then into the brain, until the probe's depth stop seats against the Kit Depth Stop in the Platform carriage. Tighten the Kit Depth Stop holding knob to lock the probe in place.
- The Drive is then advanced to target at a setting arrived at using the formula in the diagram. Nominal Platform target depth - 75mm = drive setting. This will put the tip of the probe at target. Additional slight advance may be necessary to put the biopsy window at target if that is desired.
- After obtaining the biopsy sample, remove the probe and then remove the Drive and Platform with its accessories.
- Cleaning is accomplished as described in the A989-02 manual.