

Expanding Frame Adapters for Radionics CRW™

Directions For Use

66-FA-RD-02 (standard adapter) and 66-FA-RD-03 (offset adapter)

L011-53 (Rev. A0, July 2009)



"Innovation through collaboration"



FHC, Inc.
1201 Main Street
Bowdoin, ME 04287 USA
Fax: +1-207-666-8292
Email: fhcinc@fh-co.com
www.fh-co.com



24 hour technical service:
1-800-326-2905 (US & Can)
+1-207-666-8190



FHC Europe
(TERMOBIT PROD srl)
129 Barbu Vacarescu Str, Sector 2
Bucharest 020272
Romania

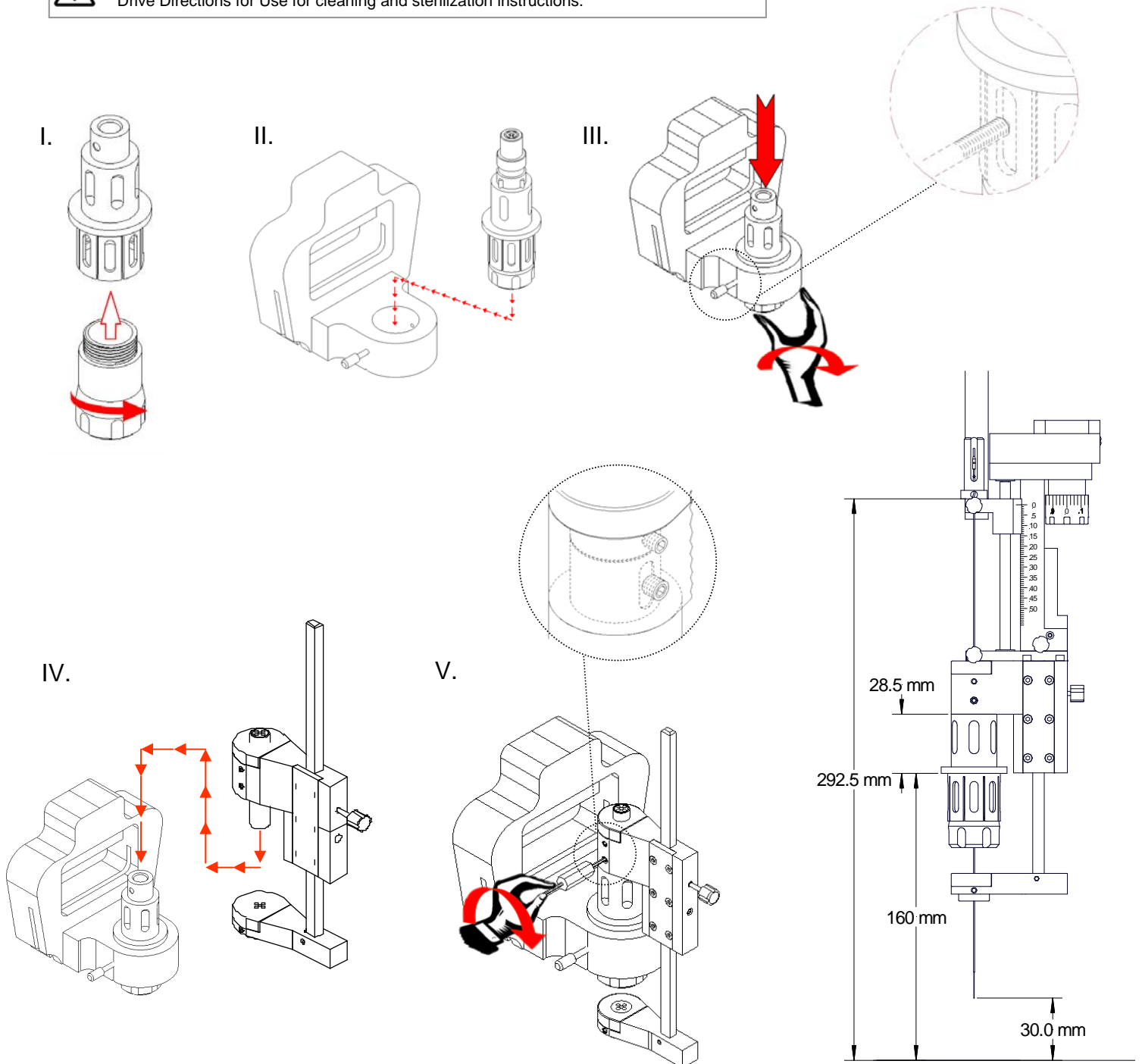
66-FA-RD-02

Expanding Frame Adapter for Radionics* CRW™

*Radionics Inc. 22 Terry Ave Burlington, MA 01803 USA

Target distance using standard microTargeting™ Stereotactic adapter with the microTargeting™ Drive set at zero and fully advanced microelectrodes mT type D (ARx), mT type D (BP7)

Separate collet and adapter prior to cleaning and sterilization. Refer to microTargeting™ Drive Directions for Use for cleaning and sterilization instructions.



66-FA-RD-03

Expanding Offset Frame Adapter for Radionics* CRW™

*Radionics Inc. 22 Terry Ave Burlington, MA 01803 USA

Target distance using standard microTargeting™ Stereotactic Offsetting adapter with the microTargeting™ Drive set at zero and fully advanced microelectrodes mT type D (ARx), mT type D (BP7)

Separate collet and adapter prior to cleaning and sterilization. Refer to microTargeting™ Drive Directions for Use for cleaning and sterilization instructions.

