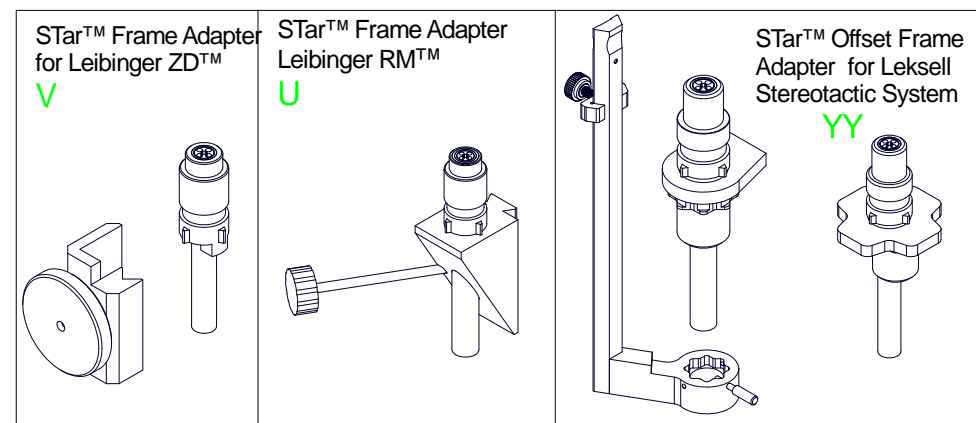
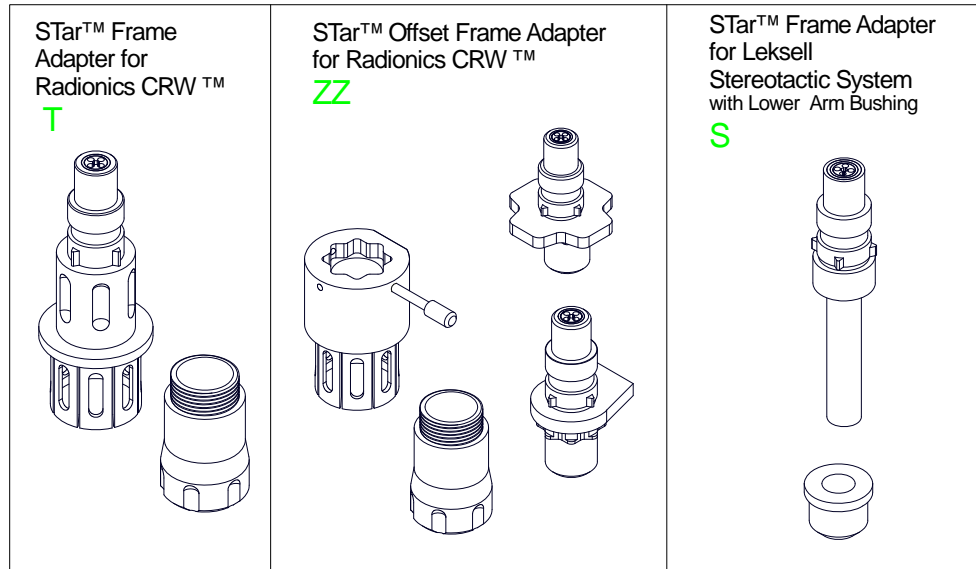


# microTargeting™ STar™ Drive System - Stereotactic frame configuration

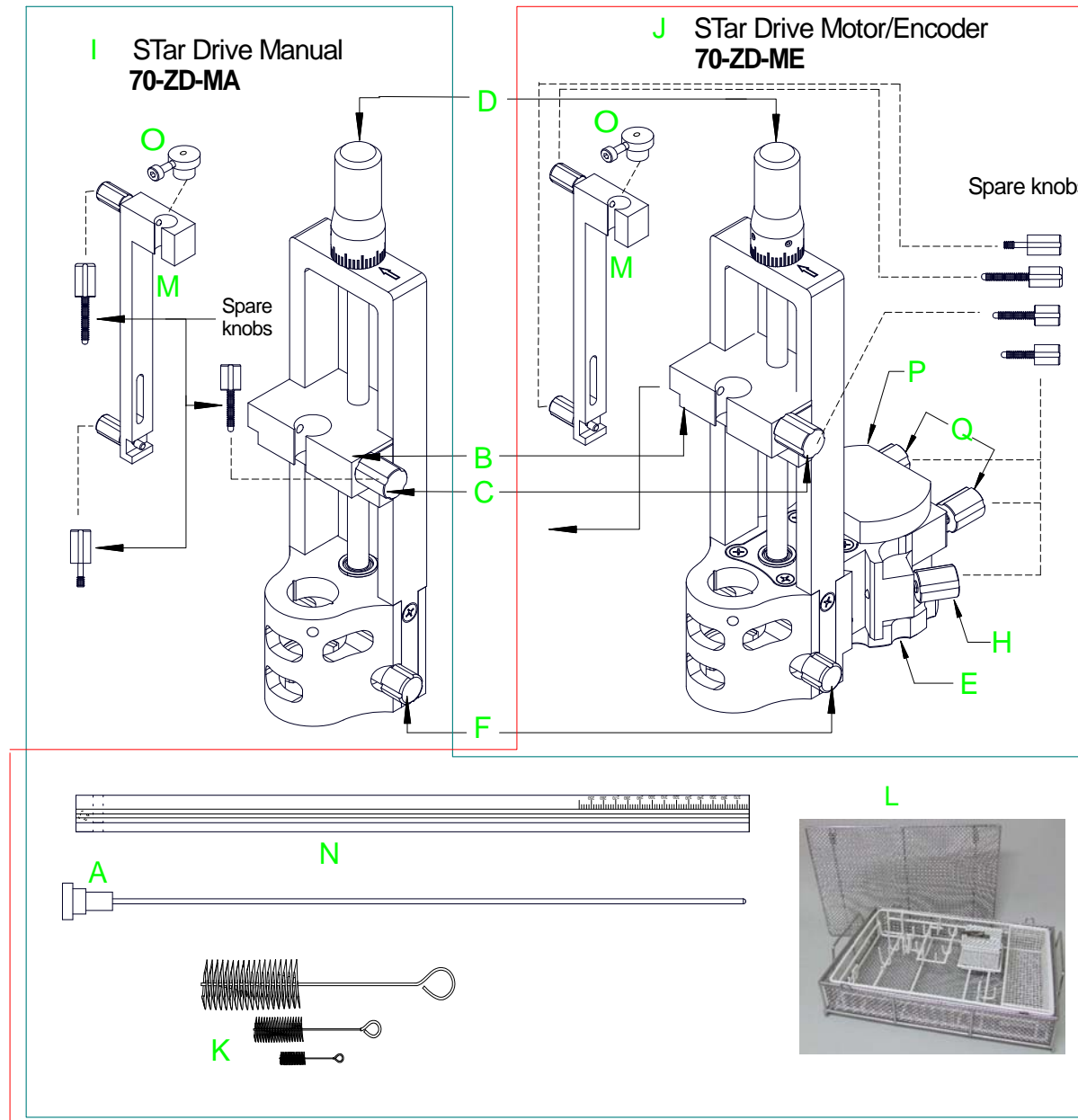
Ordering information FHC - [Medtronic](#)

- A Verification Probe, 66-IT-VP
- B Positioning platform
- C Electrode carrier locking screw
- D Drive advancement knob (upper)
- E Drive advancement knob (lower), M/E version only
- F Stereotactic positioner locking knob
- G Lower Guide (for 70-ZD-ME only) 70-LG-01
- H Lower guide locking knob, M/E version only
- I STar Drive manual 70-ZD-MA
- J STar Drive Motor/Encoder 70-ZD-ME
- K Cleaning brushes 66-CN-BR
- L STar Steri Suite 67-00-7
- M Lead Adapter 70-CN-DB (includes M,O)
- N Lead measurement fixture 70-AC-MT
- O 1.8 mm Depth Stop Adapter 66-AC-DS(1.8)
- P Protection Cover, M/E version only
- Q Accessory locking knobs, M/E version only



**Frame Adapters - one needed but not included - Ordering Information**

- S STar™ Frame Adapter for Leksell Stereotactic System w/ lower arm bushing, 70-FA-LX
- T STar™ Frame Adapter for Radionics CRW™, 70-FA-RD
- U STar™ Frame Adapter Leibinger RM™, 70-FA-RM
- V STar™ Frame Adapter for Leibinger ZD™, 70-FA-ZD
- YY STar™ Offset Frame Adapter for Leksell Stereotactic System, 70-FA-LX-01
- ZZ STar™ Offset Frame Adapter for Radionics CRW™, 70-FA-RD-01
- STar™ microTargeting Platform Adapter Kit (not shown), 70-FA-SF



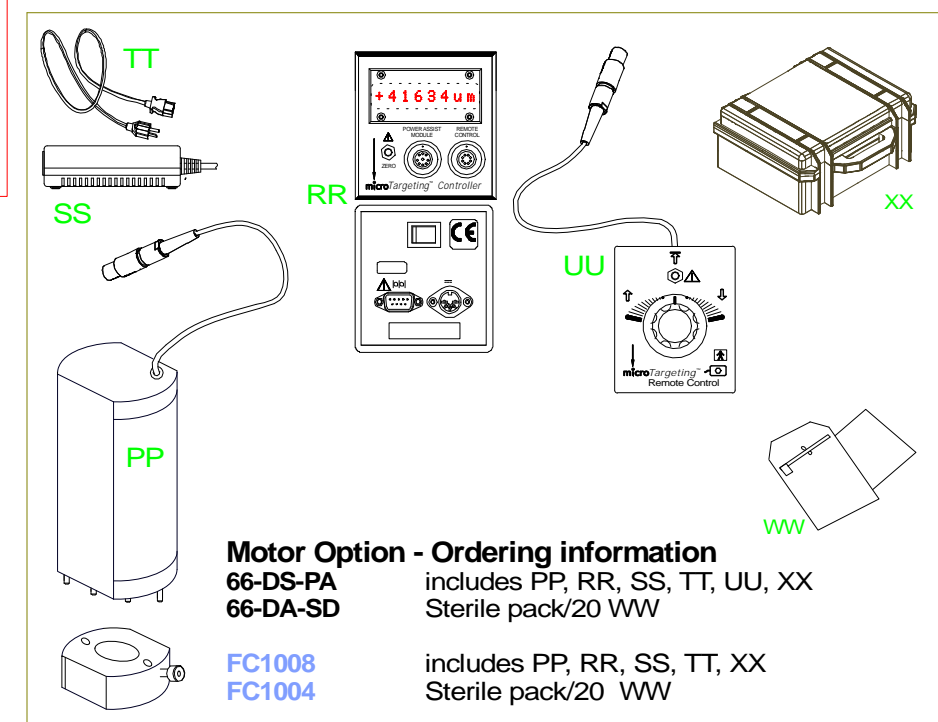
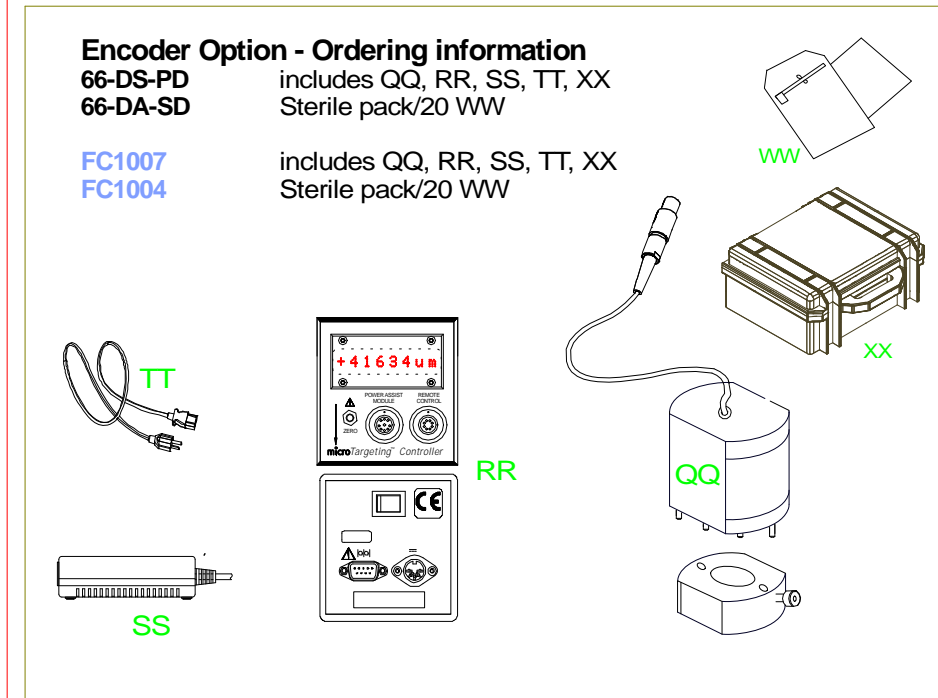
microTargeting™ STar™ Drive System ordering information:  
**ST-DS-MA** includes I, A, K, L, N

**ST-DS-ME** includes J, A, K, L, N

Optional Equipment  
 G Lower Guide (for use with 70-ZD-ME only), 70-LG-01

## Drive Motor and Encoder Accessories

- PP Power Assist with Display Assembly (motor) 66-DA-ME
- QQ Position Display Assembly (encoder) 66-DA-EN-02
- RR Power Assist Controller/Display Module 66-EL-MS
- SS Power supply
- TT Power Cord
- UU Remote Control 66-EL-RM
- WW Sterile Drapes Sleeves 66-DA-SD
- XX Storage Case 66-DA-SC



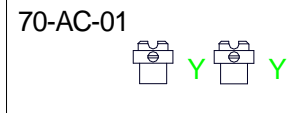
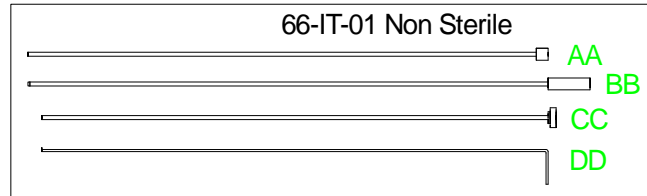
See reverse for Insertion Tube and microelectrode Sets:  
 Single and Array

PJ188 IDMR4FRAME DIA/STar Sys Dia. (Rev. B0, Jan 2010)

# Single Electrode frame configuration

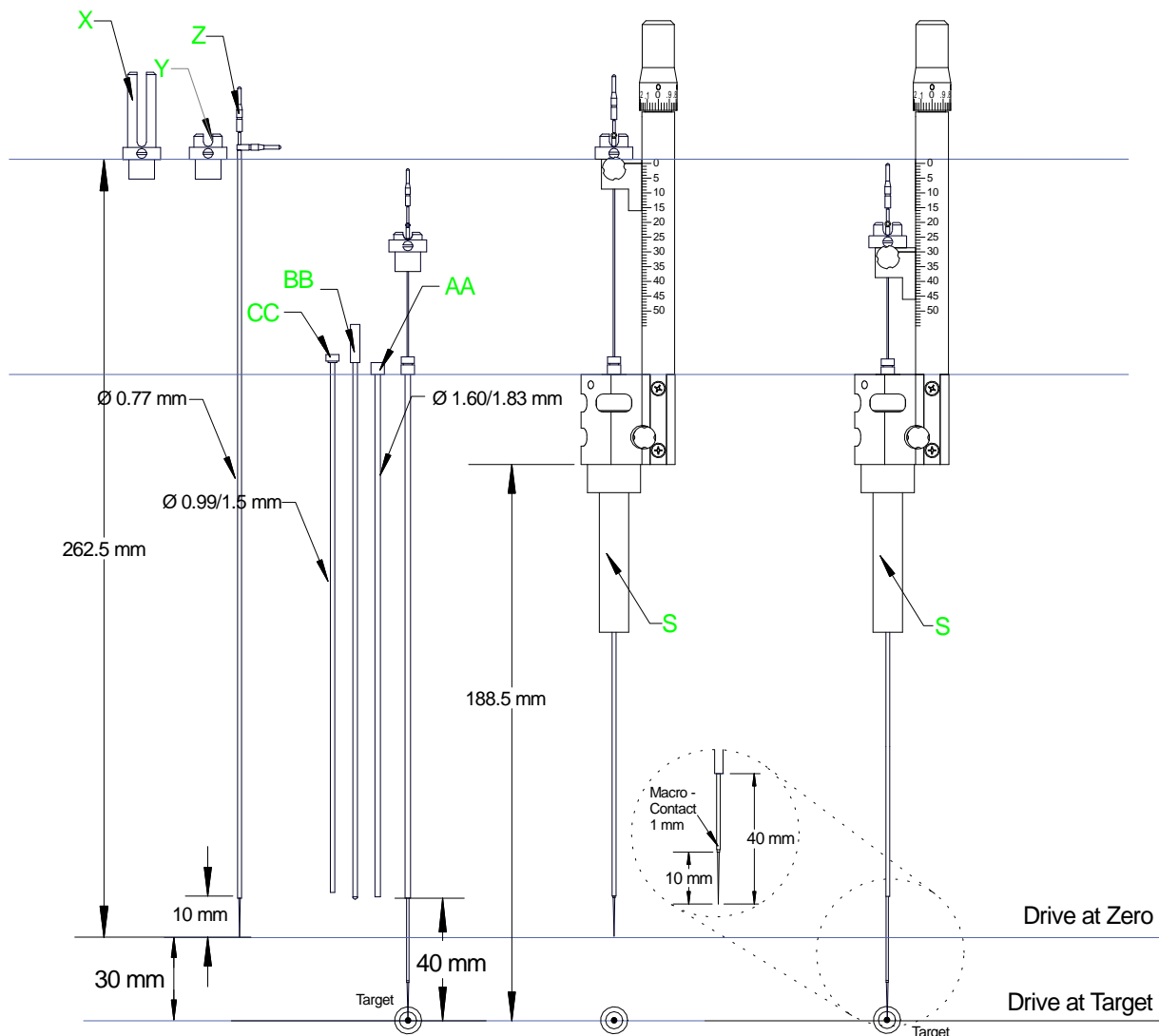
**Ordering information**  
**70-AC-01** Non Sterile STar Single Electrode Carriers includes 2ea Y  
**66-IT-01** Non Sterile Single Electrode Insertion Tube Set includes AA, BB, CC, DD - Standard tube ends at 40 mm above target. See table with additional lengths  
**66-IT-01P** Sterile Single Electrode Insertion Tubes includes AA, BB, CC (pk 5) 40 mm above target  
**FC1011** Non Sterile Single Electrode Insertion tube Kit includes X, Y, AA, BB, CC, DD  
**FC1002** Non Sterile single mT electrode (pk 5)  
**34680** Sterile single mT electrode (pk 5)

- X Shielded Single Electrode Carrier
- Y STar Single Electrode Carrier
- Z Single mT electrode Medtronic # 34680 FHC # mTDWBP(BP)(BP7)
- AA Insertion Tube (66-IT-01 shown)
- BB Stylet
- CC Spacer Tube
- DD Spacer Cleaning Rod



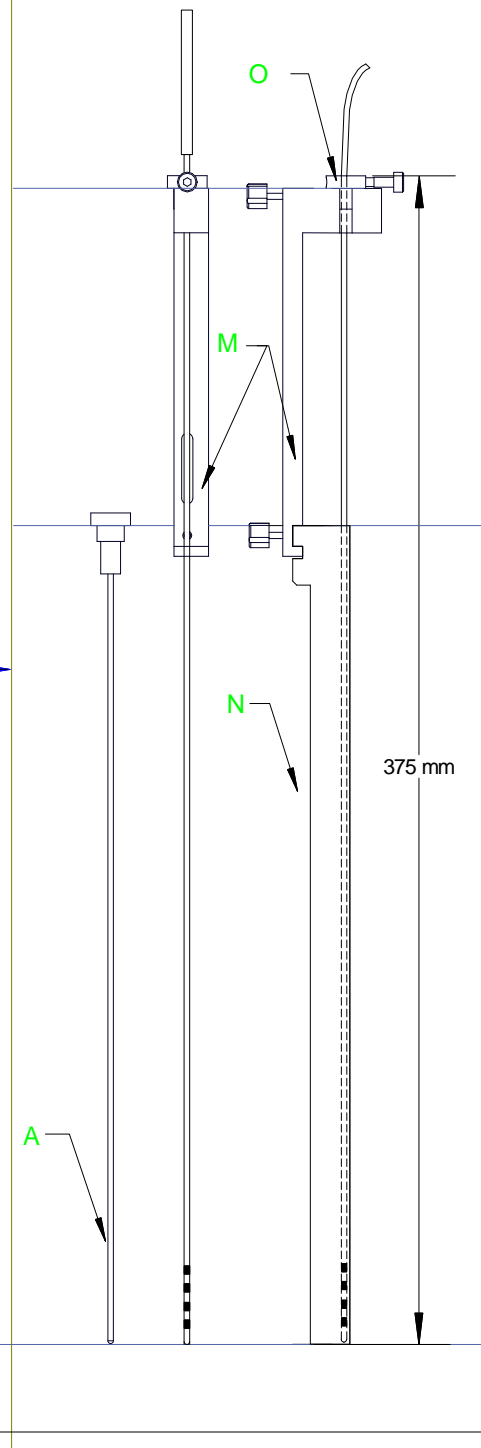
Cat #	Distance to Target (mm)
66-IT-01	40mm
66-IT-09	30mm
66-IT-13	25mm
66-IT-05	20mm
66-IT-07	15mm
66-IT-14	10mm
66-IT-08	At Target

**MA Drive shown with STar™ Frame Adapter for Leksell Stereotactic System S**  
 Drive at Zero      Drive at Target

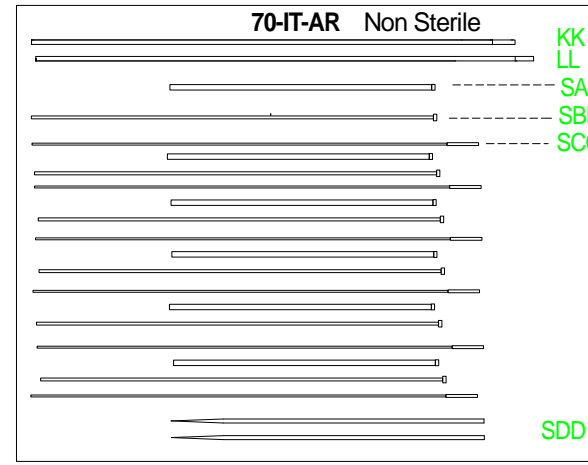


## Ordering information FHC - Medtronic

### 40cm Lead Implant



# STar™ Array Electrode frame configuration



**Ordering information**  
**70-IT-AR** Non Sterile STar™ Array Electrode Insertion Tube Set includes 6ea SAA, 6ea SBB, 6ea SCC, 2 ea SDD, 1ea LL, 1ea KK  
**70-IT-ARP** Sterile STar™ Array Electrode Insertion Tube (pk 5) includes 5ea SAA, 5ea SBB and 5ea SCC  
**FC1019** Sterile lead Insertion tube (pk 5) includes 5ea KK, 5ea LL  
**70-CN-ET** Sterile STar™ Array Insertion Tube Extractor (pk 5) includes 5ea SDD  
**70-AC-AR** STar™ Array Locking Carrier includes 1ea SA (w/ 2 spare screws), 1ea SB  
**FC1003** Non Sterile Array mT Electrode (pk 5)  
**22670** Sterile Array mT Electrode (pk 5)

- SA STar™ Array Locking Carrier w/ 2 extra screws
- SB STar™ Array Hex Wrench
- SAA STar™ Array Insertion Guide Tube
- SBB STar™ Array Electrode Insertion Tube
- SCC STar™ Array Electrode Insertion Tube Stylet
- SDD STar™ Array Insertion Tube Extractor
- SEE Array Electrode pin positions in slots
- KK Array Lead Insertion Tube
- LL Array Lead Insertion Tube Stylet
- MM Array microelectrode Medtronic # 22670 FHC # mTDWBP(AR)(AR2)

**ME Drive shown with STar™ Frame Adapter for Leksell Stereotactic System S**  
 Drive at Zero      Drive at Target

