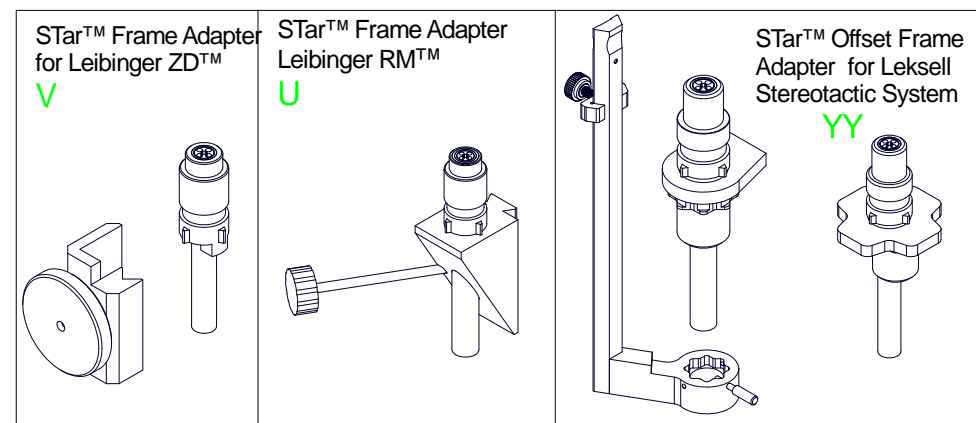
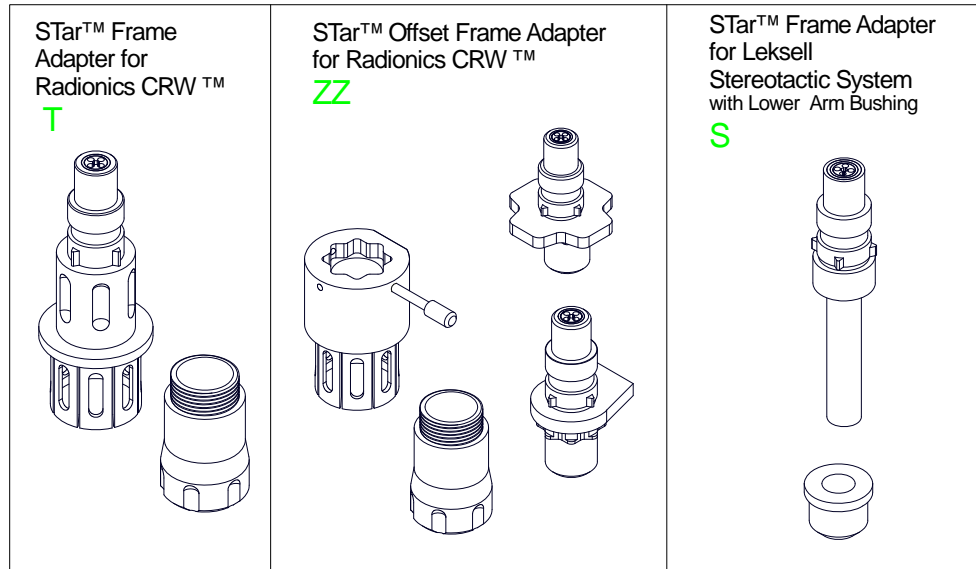


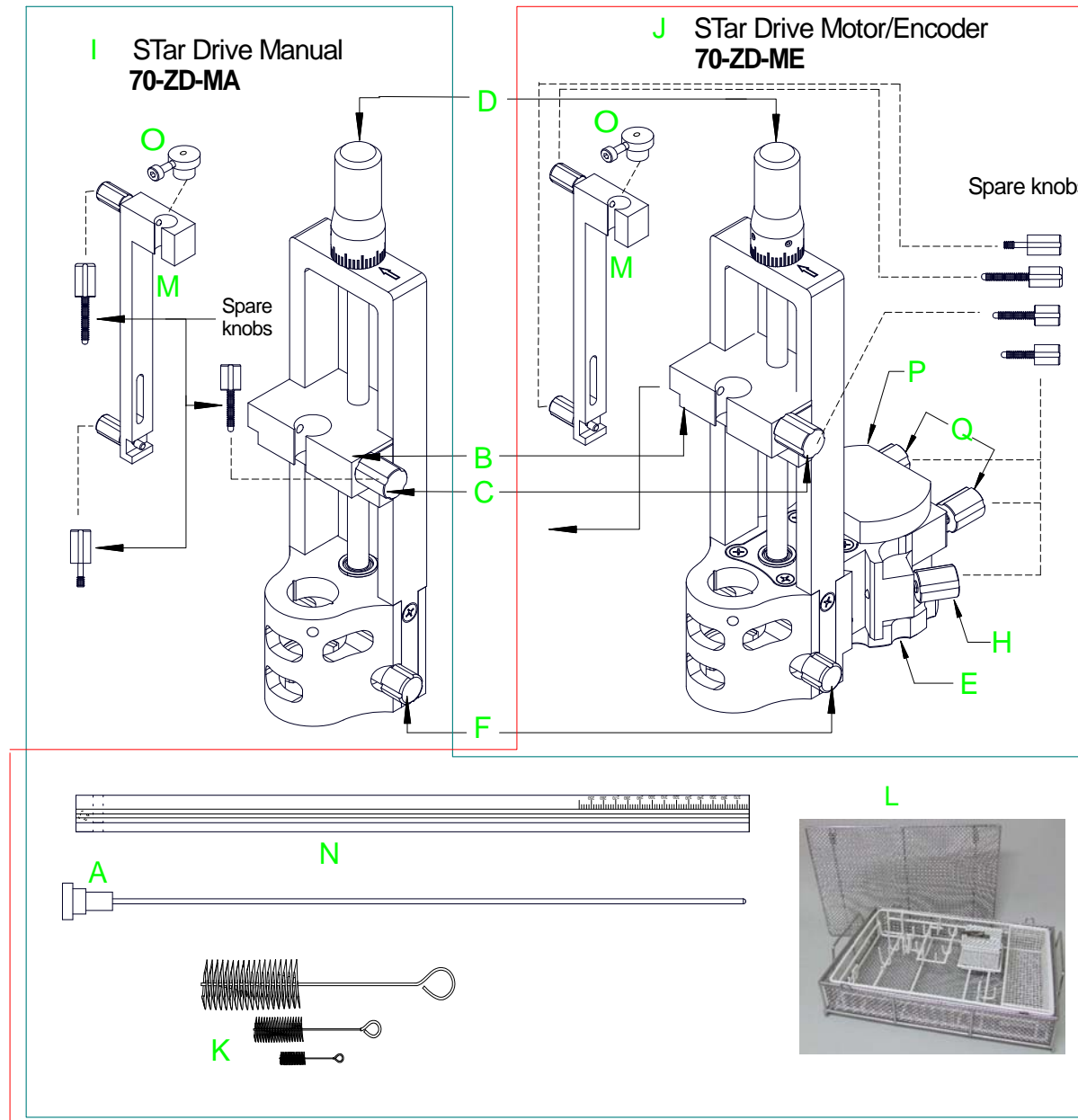
microTargeting™ STar™ Drive System - Stereotactic frame configuration

Ordering information FHC - [Medtronic](#)

- A Verification Probe, 66-IT-VP
- B Positioning platform
- C Electrode carrier locking screw
- D Drive advancement knob (upper)
- E Drive advancement knob (lower), M/E version only
- F Stereotactic positioner locking knob
- G Lower Guide (for 70-ZD-ME only) 70-LG-01
- H Lower guide locking knob, M/E version only
- I STar Drive manual 70-ZD-MA
- J STar Drive Motor/Encoder 70-ZD-ME
- K Cleaning brushes 66-CN-BR
- L STar Steri Suite 67-00-7
- M Lead Adapter 70-CN-DB (includes M,O)
- N Lead measurement fixture 70-AC-MT
- O 1.8 mm Depth Stop Adapter 66-AC-DS(1.8)
- P Protection Cover, M/E version only
- Q Accessory locking knobs, M/E version only



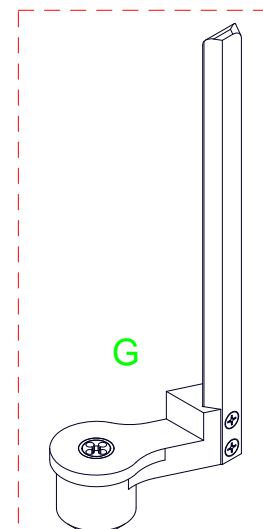
- Frame Adapters - one needed but not included - Ordering Information**
- S STar™ Frame Adapter for Leksell Stereotactic System w/ lower arm bushing, 70-FA-LX
 - T STar™ Frame Adapter for Radionics CRW™, 70-FA-RD
 - U STar™ Frame Adapter Leibinger RM™, 70-FA-RM
 - V STar™ Frame Adapter for Leibinger ZD™, 70-FA-ZD
 - YY STar™ Offset Frame Adapter for Leksell Stereotactic System, 70-FA-LX-01
 - ZZ STar™ Offset Frame Adapter for Radionics CRW™, 70-FA-RD-01
 - STar™ microTargeting Platform Adapter Kit (not shown), 70-FA-SF



microTargeting™ STar™ Drive System ordering information:
ST-DS-MA includes I, A, K, L, N

ST-DS-ME includes J, A, K, L, N

Optional Equipment
 G Lower Guide (for use with 70-ZD-ME only), 70-LG-01



Drive Motor and Encoder Accessories

- PP Power Assist with Display Assembly (motor) 66-DA-ME
- QQ Position Display Assembly (encoder) 66-DA-EN-02
- RR Power Assist Controller/Display Module 66-EL-MS
- SS Power supply
- TT Power Cord
- UU Remote Control 66-EL-RM
- WW Sterile Drapes Sleeves 66-DA-SD
- XX Storage Case 66-DA-SC

Encoder Option - Ordering information

66-DS-PD includes QQ, RR, SS, TT, XX
66-DA-SD Sterile pack/20 WW

FC1007
FC1004 includes QQ, RR, SS, TT, XX
 Sterile pack/20 WW

Motor Option - Ordering information

66-DS-PA includes PP, RR, SS, TT, UU, XX
66-DA-SD Sterile pack/20 WW

FC1008
FC1004 includes PP, RR, SS, TT, XX
 Sterile pack/20 WW

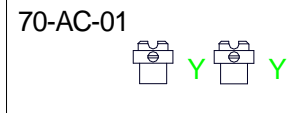
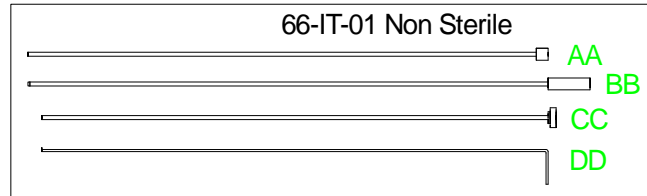
See reverse for Insertion Tube and microelectrode Sets:
 Single and Array

PJ188 IDMR4FRAME DIA/STar Sys Dia. (Rev. B0, Jan 2010)

Single Electrode frame configuration

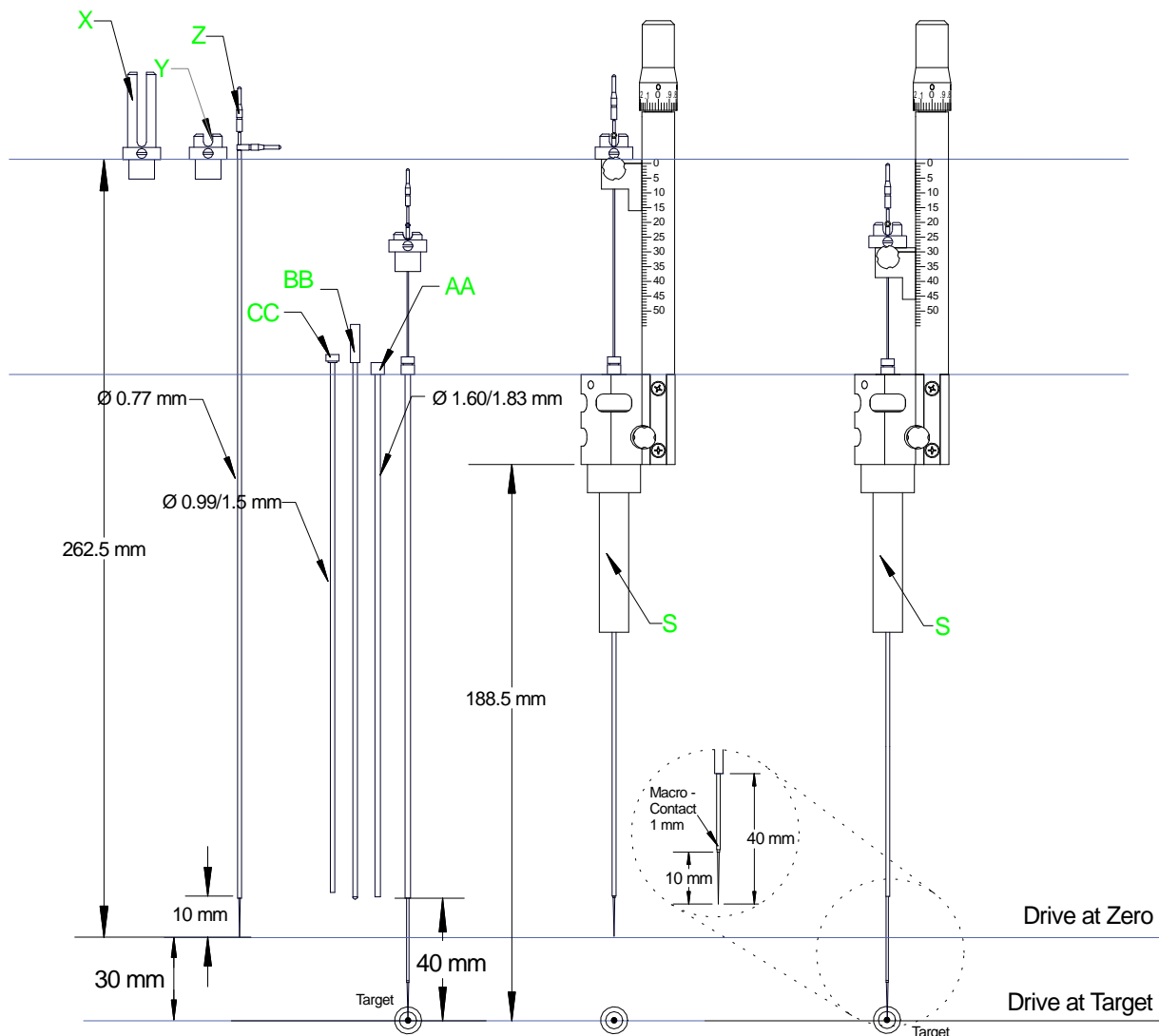
Ordering information
70-AC-01 Non Sterile STar Single Electrode Carriers includes 2ea Y
66-IT-01 Non Sterile Single Electrode Insertion Tube Set includes AA, BB, CC, DD - Standard tube ends at 40 mm above target. See table with additional lengths
66-IT-01P Sterile Single Electrode Insertion Tubes includes AA, BB, CC (pk 5) 40 mm above target
FC1011 Non Sterile Single Electrode Insertion tube Kit includes X, Y, AA, BB, CC, DD
FC1002 Non Sterile single mT electrode (pk 5)
34680 Sterile single mT electrode (pk 5)

- X Shielded Single Electrode Carrier
- Y STar Single Electrode Carrier
- Z Single mT electrode Medtronic # 34680 FHC # mTDWBP(BP)(BP7)
- AA Insertion Tube (66-IT-01 shown)
- BB Stylet
- CC Spacer Tube
- DD Spacer Cleaning Rod



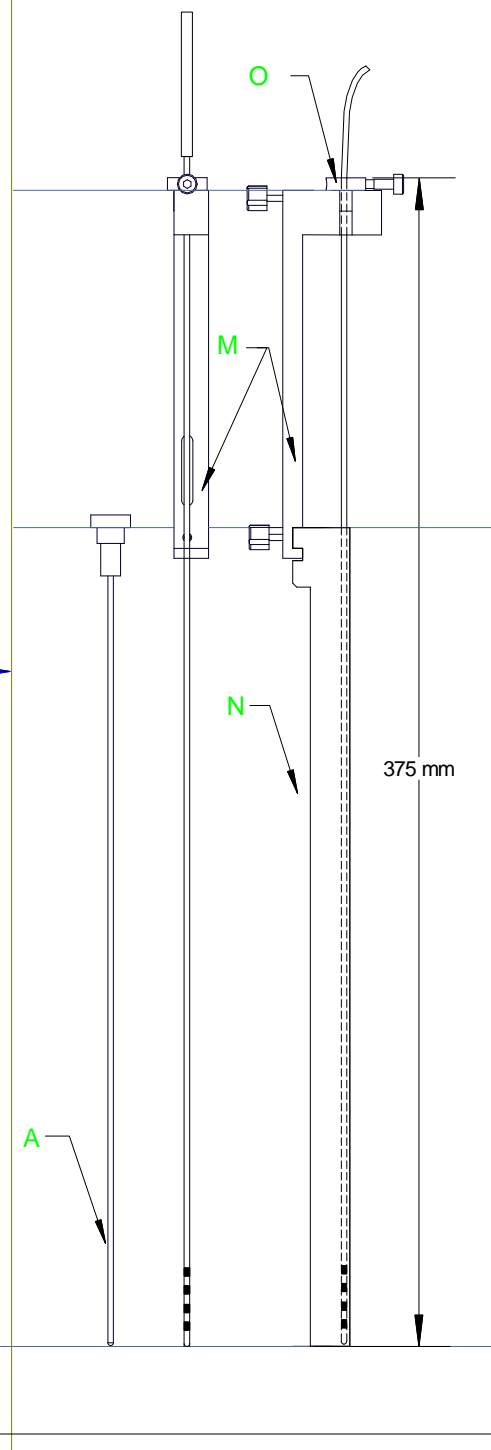
Cat #	Distance to Target (mm)
66-IT-01	40mm
66-IT-09	30mm
66-IT-13	25mm
66-IT-05	20mm
66-IT-07	15mm
66-IT-14	10mm
66-IT-08	At Target

MA Drive shown with STar™ Frame Adapter for Leksell Stereotactic System S
 Drive at Zero Drive at Target

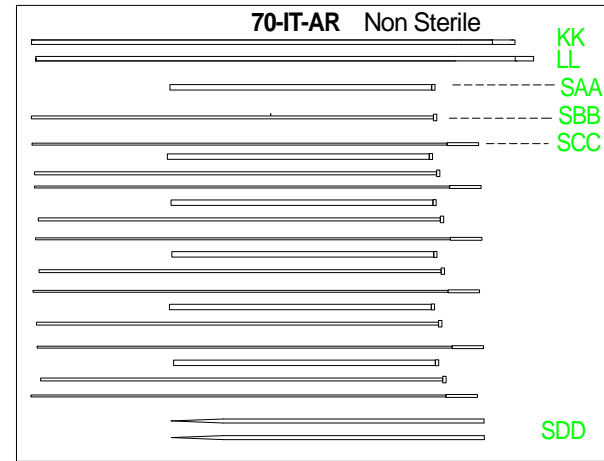


Ordering information FHC - Medtronic

40cm Lead Implant



STar™ Array Electrode frame configuration



Ordering information
70-IT-AR Non Sterile STar™ Array Electrode Insertion Tube Set includes 6ea SAA, 6ea SBB, 6ea SCC, 2 ea SDD, 1ea LL, 1ea KK
70-IT-ARP Sterile STar™ Array Electrode Insertion Tube (pk 5) includes 5ea SAA, 5ea SBB and 5ea SCC
FC1019 Sterile lead Insertion tube (pk 5) includes 5ea KK, 5ea LL
70-CN-ET Sterile STar™ Array Insertion Tube Extractor (pk 5) includes 5ea SDD
70-AC-AR STar™ Array Locking Carrier includes 1ea SA (w/ 2 spare screws), 1ea SB
FC1003 Non Sterile Array mT Electrode (pk 5)
22670 Sterile Array mT Electrode (pk 5)

- SA STar™ Array Locking Carrier w/ 2 extra screws
- SB STar™ Array Hex Wrench
- SAA STar™ Array Insertion Guide Tube
- SBB STar™ Array Electrode Insertion Tube
- SCC STar™ Array Electrode Insertion Tube Stylet
- SDD STar™ Array Insertion Tube Extractor
- SEE Array Electrode pin positions in slots
- KK Array Lead Insertion Tube
- LL Array Lead Insertion Tube Stylet
- MM Array microelectrode Medtronic # 22670 FHC # mTDWBP(AR)(AR2)

ME Drive shown with STar™ Frame Adapter for Leksell Stereotactic System S
 Drive at Zero Drive at Target

