

TO SPECIFY FHC CLUSTER ELECTRODES:

CATALOG#

CE 12345 n/n/n... or
(iin)

Cluster Electrode

Length

Configuration

Modifier(s)

1

Number of Contacts

- 2: 2 Conductors
- 3: 3 Conductors
- 4: 4 Conductors
- 5: 5 Conductors
- X: Special / Specify

2

Electrode Material:

- Diameter and Material of Contacts.
- B: 12.5µm dia. Platinum/Iridium
- C: 25µm dia. Platinum/Iridium
- D: 25µm dia. Stainless Steel
- E: 50µm dia. Platinum/Iridium
- F: 50µm dia. Stainless Steel
- X: Special / Specify

3,4,5

Length in millimeters

75 mm Standard and in stock. See diagram below for dimension definition. No leading zero is necessary.

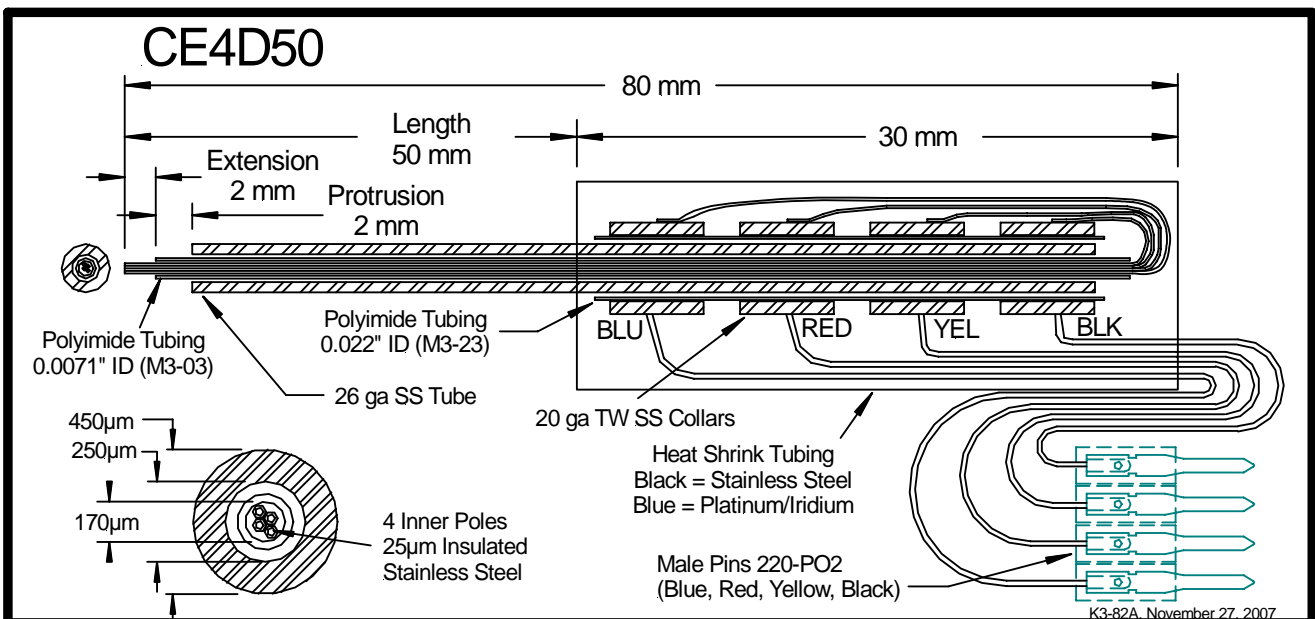
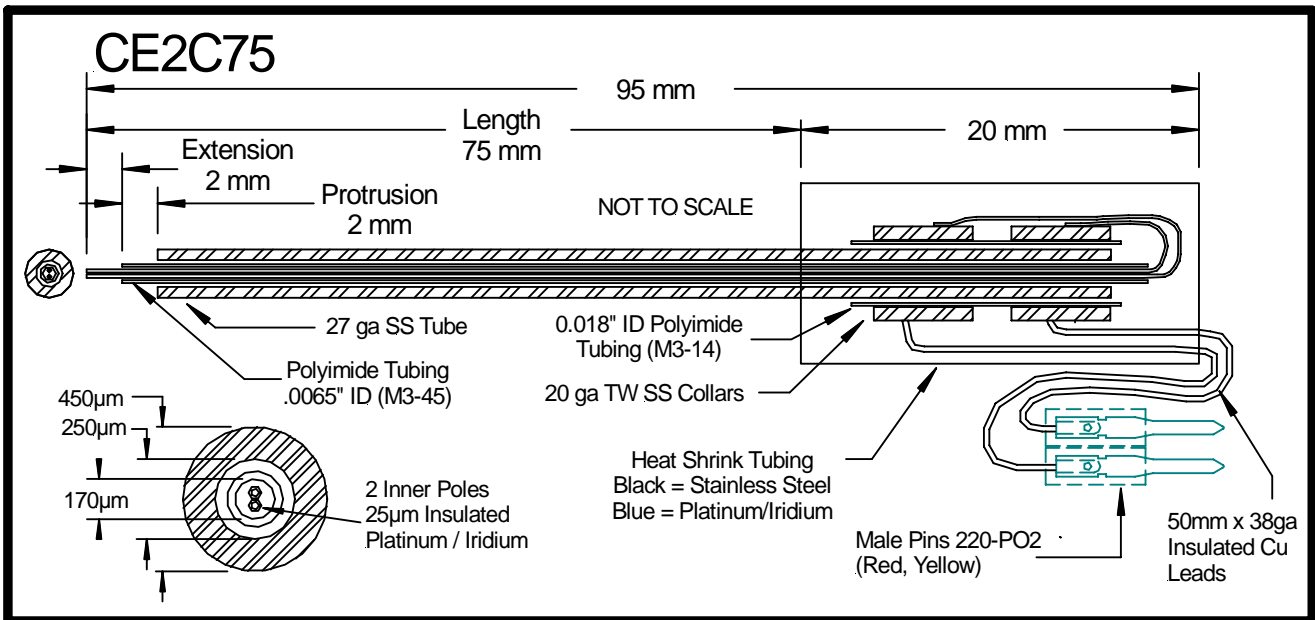
Modifier Note:

Any X's in the catalog # indicate that modifiers are required. Specify Extension and Protrusion if needed, (otherwise default values of 2 mm will be used) or Initials will reference a drawing with all specifics detailed.

Production Note:

Tubing sizes will be chosen to minimize outside diameter unless otherwise specified. Termination lengths will be kept to a minimum. Leads will be 50 mm long w/ male 220-PO2 pins and heatshrink.

Examples:



K3-82A November 27, 2007