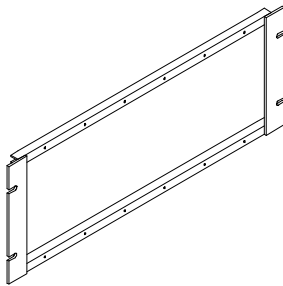


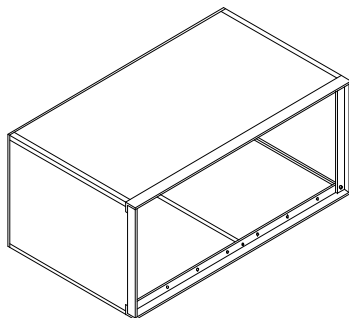
Packaging and Mounting Equipment

FHC electronic modules are packaged in metal cases which consist of standard size front panels mounted on extruded side rails. All electronic modules are completely encased and can be used without further mounting or hardware. However, it may be suitable to group modules and we have made provision for several configurations.

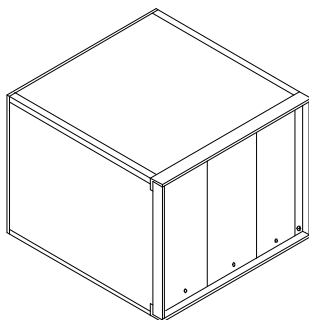
The **Rack Mount Assembly** will hold up to six 2-3/4" wide modules (Panel A) or three 5-1/2" wide modules (Panel C) or two 8-1/4" modules (Panel D), while occupying only 7" vertically on a standard 19" instrument rack. The **Three Module Cabinet** holds three Panel A's or one Panel A plus one Panel C module. The **Six Module Cabinet** holds 6 single (A) or other panel combinations totaling 16 1/2".



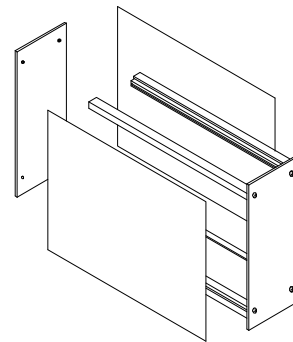
Rack Mount Assembly



6 Module Cabinet



3 Module Cabinet (with blank Panels)



Blank Module construction

Cables, and Connectors

For interconnecting FHC modules, please note the variety of **connectors** and **cables** which we provide, listed below.

ORDERING INFORMATION

40-10-1	Rack Mount Assembly	EA
40-10-2	3-Module Cabinet	EA
40-10-3	Blank Front Panel (A) 2 3/4" wide	EA
40-10-4	6 Module Cabinet	EA
40-10-5	Blank Module (A) 2 3/4" wide	EA
40-10-6	Blank Module (C) 5 1/2" wide	EA
40-10-7	Blank Module (D) 8 1/4" wide	EA
40-10-8	Blank Front Panel (C) 14 x 17.8cm	EA
40-10-9	Blank Front Panel (D) 21 x 17.8cm	EA
40-11-1	Banana/Pin Tip Adaptor, Black	PK5
40-11-2	Banana/Pin Tip Adaptor, Red	PK5
40-11-3	Binding Post/BNC Adaptor, Black	PK5
40-11-4	Binding Post/BNC Adaptor, Red	PK5
40-11-5	BNC-BNC Adaptor	PK5
40-11-6	BNC-T Adaptor	PK5
40-11-7	BNC/Double Banana Adaptor	EA
40-11-8	Stacking Banana Plug, Black	PK5
40-11-9	Stacking Banana Plug, Red	PK5
40-12-2	12" Stack Banana/Banana Cord, Black	PK5
40-12-3	36" Stack Banana/Banana Cord, Black	PK5
40-12-4	60" Stack Banana/Banana Cord, Black	PK5
40-12-6	12" Stack Banana/Banana Cord, Red	PK5
40-12-7	36" Stack Banana/Banana Cord, Red	PK5
40-12-8	60" Stack Banana/Banana Cord, Red	PK5
40-13-1	12" BNC-BNC Coax Cable (50 Ohms)	PK5
40-13-3	36" BNC-BNC Coax Cable (50 Ohms)	PK5
40-13-5	60" BNC-BNC Coax Cable (50 Ohms)	PK5
40-13-9	BNC Cable Connector only	PK5
40-14-1	Binding Post Bulkhd Connector, Black	PK5
40-14-2	Binding Post Bulkhd Connector, Red	PK5
40-14-3	BNC Bulkhead Connector	PK5
40-15-1	Microelectrode Cable (Fem Amph 2')	PK5