

# microTargeting™ Drive System - Stereotactic frame configuration

Ordering information **FHC - Medtronic**

- A Verification Probe, **66-IT-VP**
- B Positioning platform
- C Electrode carrier locking screw
- D Drive advancement knob
- E matrix Bushing, **66-AC-MB (upper & lower bushing set)**
- F Drive Mount Lock screw
- G Drive locking screw
- H Pylon locking screw
- I Pylon
- J Drive Mount, **66-DM-01 (includes J, K & I)**
- K Lower guide
- L microTargeting™ Drive, **66-ZD-MD-01**
- M Lead Holder, **66-CN-DB (includes M & O)**
- N Measuring Fixture, **66-AC-MT**
- O Depth Stop Adapter (1.8mm), **66-AC-DS(1.8)**
- P Hex wrench, **66-CN-HX**
- Q Cleaning brushes, **66-CN-BR**
- R Sterilization case, **67-00-4**
- S Lumen cleaning tool, **66-CN-RT**
- T mT Accessories Kit, **66-AC-KT (includes P)**
- U Protection Cover
- W Accessory locking knobs

## Frame Adapters (one needed but not included) - Ordering Information

See reverse for picture

YY Leksell Frame adapter, **66-FA-LX, FC1010**  
 ZZ Radionics Frame adapter, **66-FA-RD, FC1009**

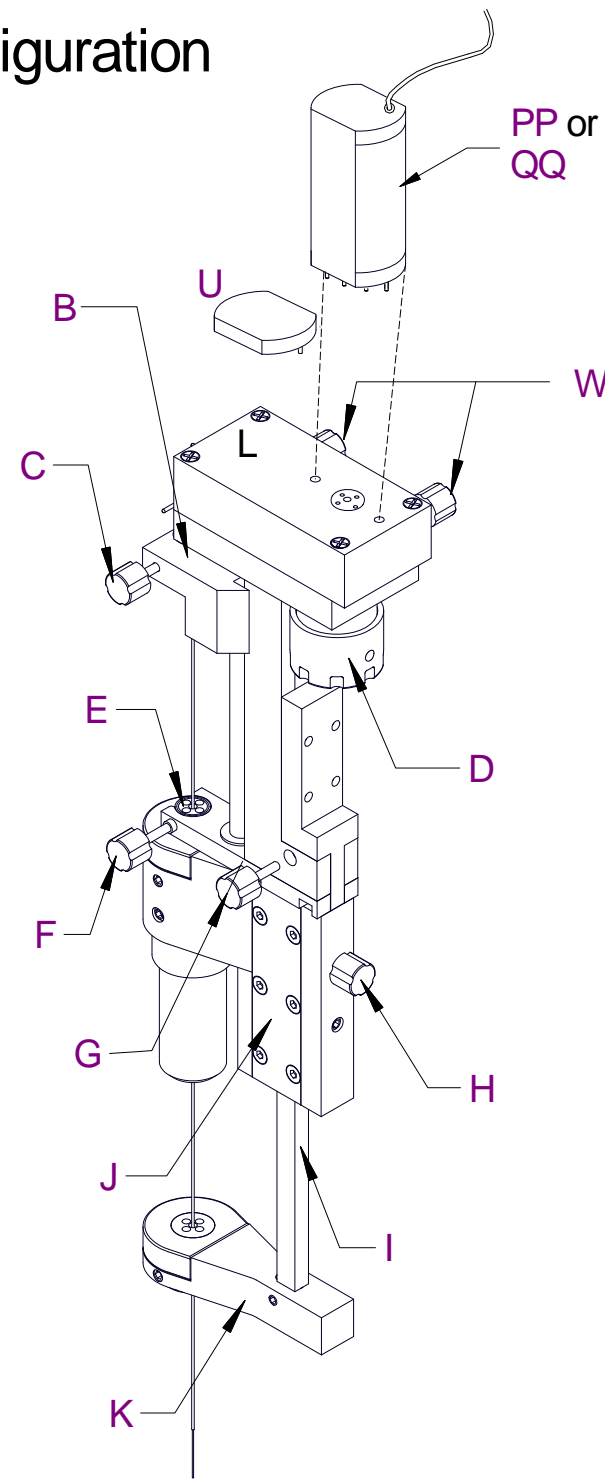
also available, but not pictured:

BrainLAB Frame adapter, **66-FA-BL, FC1013**  
 Leibinger RM Frame adapter, **66-FA-RM, FC1014**  
 Leibinger ZD Frame adapter, **66-FA-ZD, FC1015**  
 Laitinen Frame adapter, **66-FA-LS, FC1016**  
 Neuromate Frame adapter, **66-FA-NM, N/A**  
 Nexframe adapter, **66-DM-02, N/A**  
 Leksell Offset adapter, **66-FA-LX-01, N/A**  
 Radionics Offset adapter, **66-FA-RD-01, N/A**

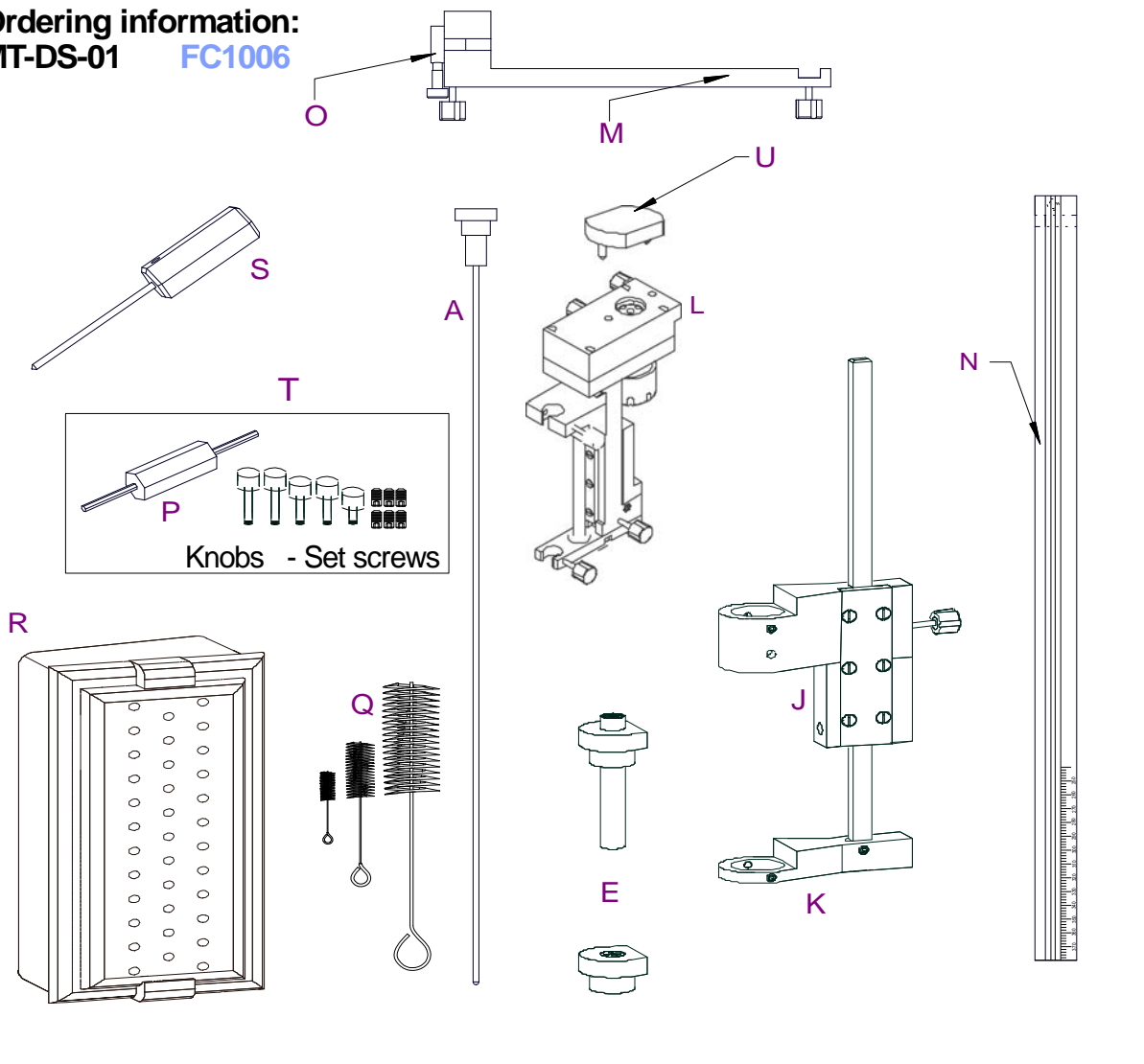
## Optional Equipment

V V WiSC Wash and Sterilization Case, **67-00-6, N/A**

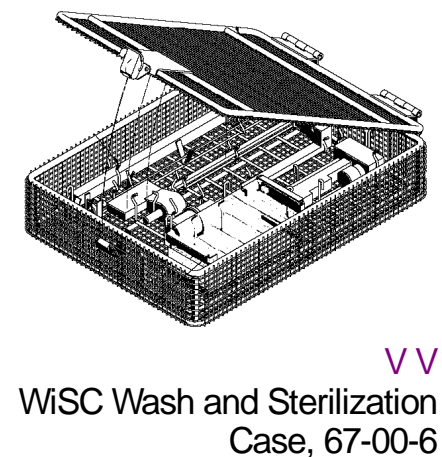
See page 20 for Insertion Tube and microelectrode Sets:  
**Single and Array**



## Ordering information: MT-DS-01 **FC1006**



Not to scale - For identification purposes only

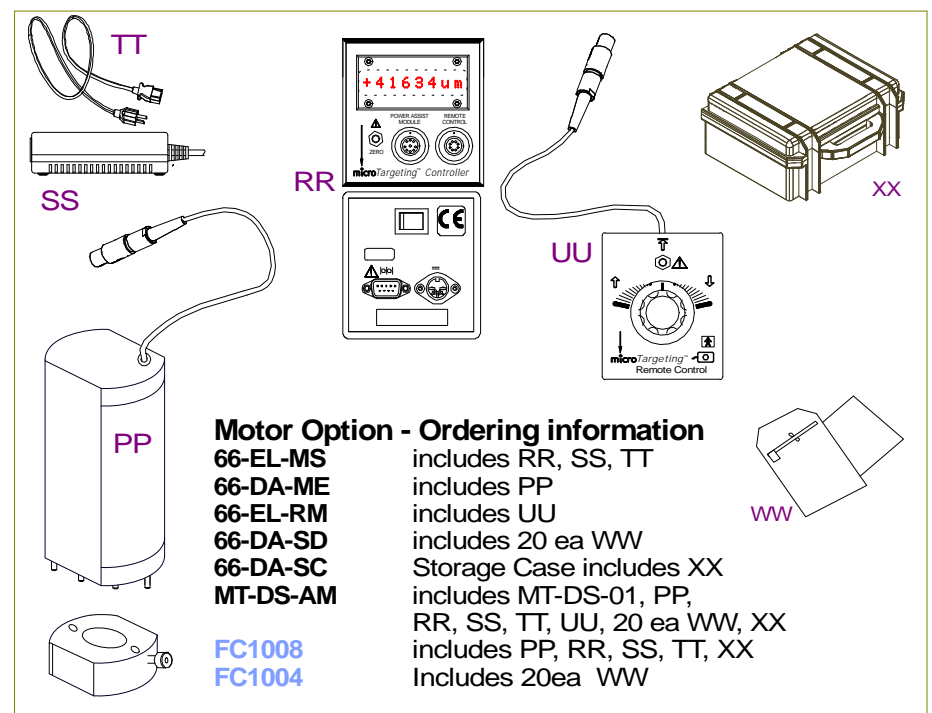
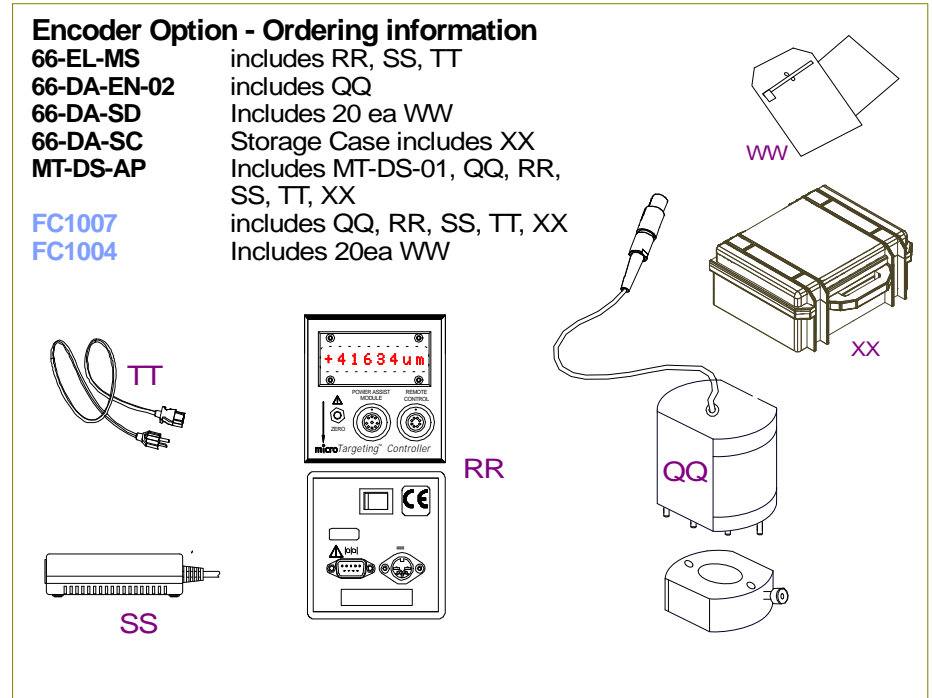


## Drive Motor and Encoder Accessories

- PP Power Assist with Display Assembly (motor) **66-DA-ME**
- QQ Position Display Assembly (encoder) **66-DA-EN-02**
- RR Power Assist Controller/Display Module **66-EL-MS**
- SS Power supply
- TT Power Cord
- UU Remote Control **66-EL-RM**
- VV Sterile Drapes Sleeves **66-DA-SD**
- XX Storage Case **66-DA-SC**

## Encoder Option - Ordering information

- 66-EL-MS** includes RR, SS, TT
- 66-DA-EN-02** includes QQ
- 66-DA-SD** Includes 20 ea VV
- 66-DA-SC** Storage Case includes XX
- MT-DS-AP** Includes MT-DS-01, QQ, RR, SS, TT, XX
- FC1007** includes QQ, RR, SS, TT, XX
- FC1004** Includes 20ea VV



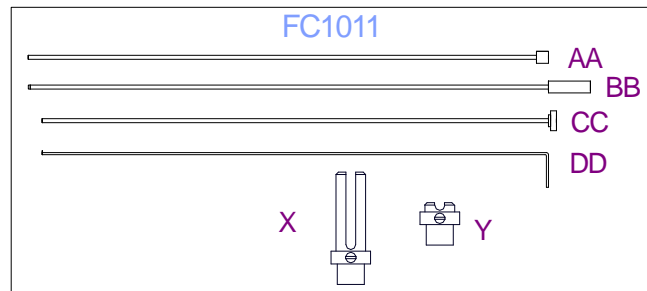
## Motor Option - Ordering information

- 66-EL-MS** includes RR, SS, TT
- 66-DA-ME** includes PP
- 66-EL-RM** includes UU
- 66-DA-SD** includes 20 ea VV
- 66-DA-SC** Storage Case includes XX
- MT-DS-AM** includes MT-DS-01, PP, RR, SS, TT, UU, 20 ea VV, XX
- Includes PP, RR, SS, TT, XX
- Includes 20ea VV

**FC1008**  
**FC1004**

# Single Electrode configuration

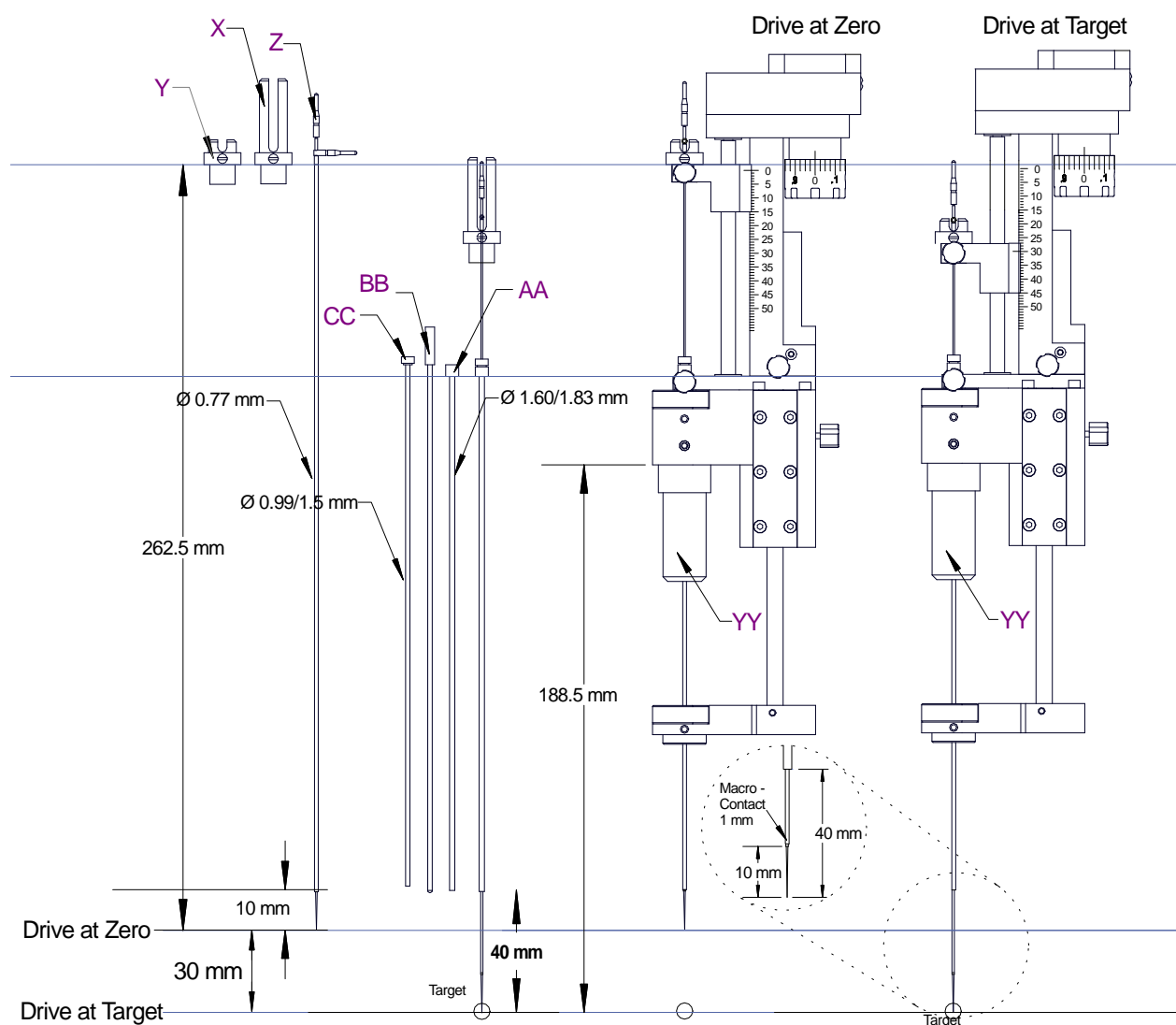
- Ordering information**
- 66-AC-01 Non Sterile Includes X, W
  - 66-IT-01 Non Sterile Includes AA, BB, CC, YY  
Standard tube ends at 40 mm above target. See table with additional lengths
  - 66-IT-01P Sterile Includes AA, BB, CC (pk 5)  
40 mm above target
  - FC1002 Non Sterile single mT electrode (pk 5)
  - FC1011 Non Sterile Includes AA, BB, CC, DD, X, Y
  - FC1035 Sterile single IT set (pk 5)  
40 mm above target
  - FC1036 Sterile single IT set (pk 5)  
20 mm above target
  - FC1037 Non Sterile includes X, Y
  - 34680 Sterile single mT electrode (pk 5)



Cat#	Distance to Target (mm)
66-IT-01	40mm
66-IT-09	30mm
66-IT-13	25mm
66-IT-05	20mm
66-IT-07	15mm
66-IT-14	10mm
66-IT-08	At Target
FC1035	40mm
FC1036	20mm

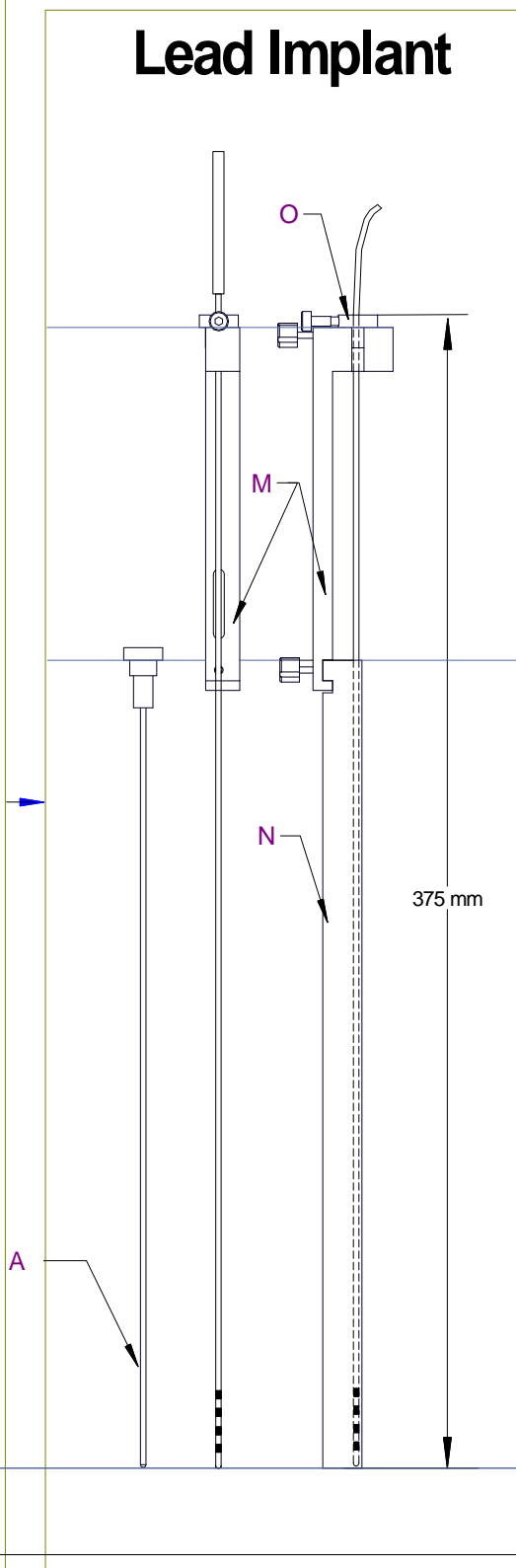
- X Shielded single electrode carrier
- Y Non shielded single Electrode Carrier
- Z Single mT electrode Medtronic # 34680  
FHC # mTDWBP(BP)(BP7)
- AA Insertion Tube 66-IT-01 shown
- BB Stylet
- CC Spacer Tube
- DD Spacer cleaning Rod

## Drive shown with Leksell Frame Adapter YY

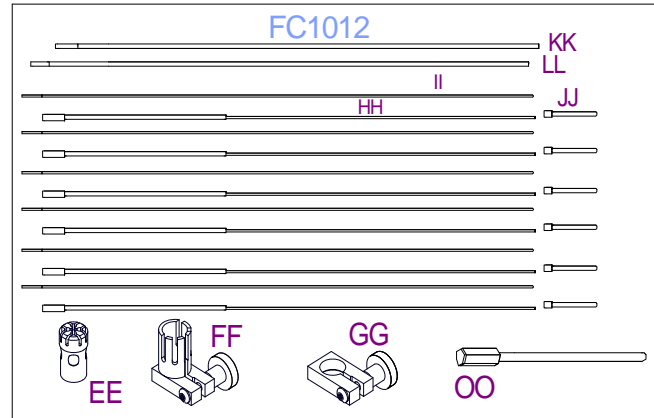


## Ordering information FHC - Medtronic

# Lead Implant

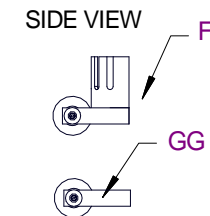
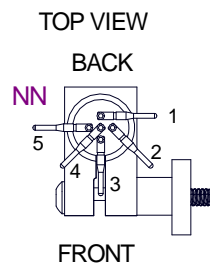


# Array Electrode configuration



- Ordering information**
- 66-AC-AR includes EE, FF, GG
  - 66-AC-EC includes EE
  - 66-AC-NC includes GG
  - 66-AC-SC includes FF
  - 66-IT-AR includes 6ea HH, 6ea II, 6ea JJ, KK, LL, OO
  - FC1003 Non Sterile Array mT Electrode (pk 5)
  - FC1012 Non Sterile includes EE, FF, GG, 6ea HH, 6ea II, 6ea JJ, KK, LL, OO
  - FC1018 Sterile includes HH, II, JJ (pk 5)
  - FC1019 Sterile includes KK, LL (pk 5)
  - FC1021 Non Sterile includes EE, FF, GG
  - 22670 Sterile Array mT Electrode (pk 5)

- EE Array Electrode Carrier
- FF Shielded Array Clamp
- GG Non shielded Array Clamp
- HH Array Insertion Tube
- II Array Insertion Tube Stylet
- JJ Array lower Guide Spacer Tube
- KK Array Lead Insertion Tube
- LL Array Lead Insertion Tube Stylet
- MM Array microelectrode Medtronic # 22670  
FHC # mTDWBP(AR)(AR2)
- NN Array Electrode pin positions in slots
- OO Array Electrode Insertion tool



## Drive shown with CRW Frame Adapter ZZ

