



Research Products

Items on this price list have **not** been cleared for use on humans.

Custom Orders

Please contact us to discuss customizing any of our products to meet your special requirements.

International Orders

Taxes, as well as duty, broker, and shipping/handling charges may add significantly to costs on deliveries outside the U.S. For quotes/orders, please contact us to get the name of our agent in your country or to work with us directly.

Terms

FOB Bowdoinham, ME U. S. A.;
Net 30 days, payable in U.S. dollars by check drawn on U.S. bank, Visa or Mastercard credit cards, wire transfer.

Quantity Discounts

Packaged items -- (PK):
5%, 4-7 pks;
10%, 8-19 pks;
15%, 20 or more pks.

Rush Orders

Standard delivery for FHC products, including micro-electrodes, is 2-4 weeks. We will make every effort to ensure that your order arrives in a timely way, and will not charge extra fees for making special trips to after-hours shippers or airports. If you need to receive your order in less than the standard delivery, and the items are not in stock, a 25% rush charge may be added to your order.

Returns

A 20% restocking fee may be charged for returned items. Custom microelectrodes cannot be returned to inventory and, therefore, are not subject to a restocking fee or refund.

Repairs

Repairs are billed at an hourly rate of \$140. A minimum half hour bench charge is applied to all repairwork.

FHC, Inc.

1201 Main St,
Bowdoin, ME 04287 USA

Phone: 207-666-8190
US & Canada: 800-326-2905
Fax: 207-666-8292

Table of Contents

Micropipettes.....	page(s)	1
Capillary Tubing.....		1-2
Supplies and Cables.....		2-3
Instrumentation.....		4-6
Metal Microelectrodes.....		7-10

Micropipettes — Series 10,11,12,13,14, or 17-SD-TL

Specify	SD	Specify: TL *	S	=	5-7mm
(Shank Diam.)	10 = 1.0mm	(Taper Length)	M	=	10-12mm
	12 = 1.2mm		L	=	15-17mm
	15 = 1.5mm				
	20 = 2.0mm (single barrel only)				

e.g. 12-12-S=2 barrel; ea barrel shank 1.2mm OD, 7mm taper length

***An additional charge of \$2.50 each (1-3 barrel) or \$2.75 each (4-7 barrel) will be added for specific tip modification requirements. Please contact our Technical Department for details.**

10-SD-TL	1 Bar./12% Wall/Borosil. Micropipette	Pk. 48	\$ 264.00
11-SD-TL	1 Bar./25% Wall/Borosil. Micropipette	Pk. 48	264.00
12-SD-TL	2 Bar./25% Wall/Borosil. Micropipette	Pk. 48	290.40
13-SD-TL	3 Bar./25% Wall/Borosil. Micropipette	Pk. 48	310.56
14-SD-TL	4 Bar./25% Wall/Borosil. Micropipette	Pk. 48	326.40
17-SD-TL	7 Bar./25% Wall/Borosil. Micropipette	Pk. 48	372.80
18-20-1	Ag/AgCl Electrode	Ea.	41.00
18-20-2	Ag/Ag/Cl Electrode/Platinum Blacked	Ea.	45.00
19-20-1	Microelectrode Filling Kit	Ea.	79.80
19-20-2	30 ga x 3" Filling Needle	Pk. 5	73.50

Capillary Tubing

Standard length is 100mm (4"). Many types also stocked in 75mm (3") lengths. Other lengths also available; package quantity is adjusted for different lengths —e.g.30-30-0 is \$55.00 for pk/250 at 100mm or for pk/333 at 75mm

27-30-0	Borosil 1.0mm OD x 0.75mm ID	Pk. 250	\$ 77.50
27-30-1	Borosil 1.0mm OD x 0.5mm ID	Pk. 250	77.50
27-31-0	Borosil 1.2mm OD x 0.9mm ID	Pk. 250	77.50
27-31-1	Borosil 1.2mm OD x 0.6mm ID	Pk. 250	77.50
27-32-0	Borosil 1.5mm OD x 1.12mm ID	Pk. 250	122.50
27-32-1	Borosil 1.5mm OD x 0.75mm ID	Pk. 250	122.50
27-33-1	Borosil 2.0mm OD x 1.0mm ID	Pk. 250	132.50



Research Products

Items on this price list have **not** been cleared for use on humans.

Custom Orders

Please contact us to discuss customizing any of our products to meet your special requirements.

International Orders

Taxes, as well as duty, broker, and shipping/handling charges may add significantly to costs on deliveries outside the U.S. For quotes/orders, please contact us to get the name of our agent in your country or to work with us directly.

Terms

FOB Bowdoinham, ME U. S. A.; Net 30 days, payable in U.S. dollars by check drawn on U.S. bank, Visa or Mastercard credit cards, wire transfer.

Quantity Discounts

Packaged items -- (PK):
5%, 4-7 pks;
10%, 8-19 pks;
15%, 20 or more pks.

Rush Orders

Standard delivery for FHC products, including micro-electrodes, is 2-4 weeks. We will make every effort to ensure that your order arrives in a timely way, and will not charge extra fees for making special trips to after-hours shippers or airports. If you need to receive your order in less than the standard delivery, and the items are not in stock, a 25% rush charge may be added to your order.

Returns

A 20% restocking fee may be charged for returned items. Custom microelectrodes cannot be returned to inventory and, therefore, are not subject to a restocking fee or refund.

Repairs

Repairs are billed at an hourly rate of \$140. A minimum half hour bench charge is applied to all repairwork.

FHC, Inc.

1201 Main St,
Bowdoin, ME 04287 USA

Phone: 207-666-8190
US & Canada: 800-326-2905
Fax: 207-666-8292

Capillary Tubing, cont.

30-30-0X	Borosil 1.0mm ODx0.85mm ID/Fiber	Pk. 250	77.50
30-30-0	Borosil 1.0mm ODx0.75mm ID/Fiber	Pk. 250	77.50
30-30-1	Borosil 1.0mm OD x 0.5mm ID/Fiber	Pk. 250	77.50
30-30-2	2 Barrel Borosil 1.0mm OD/Fiber	Pk. 100	51.00
30-30-3	3 Barrel Borosil 1.0mm OD/Fiber	Pk. 100	63.00
30-30-4	4 Barrel Borosil 1.0mm OD/Fiber	Pk. 100	76.00
30-30-7	7 Barrel Borosil 1.0mm OD/Fiber	Pk. 100	112.00
30-31-0	Borosil 1.2mm OD x 0.9mm ID/Fiber	Pk. 250	77.50
30-31-1	Borosil 1.2mm OD x 0.6mm ID/Fiber	Pk. 250	77.50
30-31-1T	Borosil 1.2mm OD x .4mm ID/Fiber	Pk. 250	77.50
30-31-2	2 Barrel Borosil 1.2mm OD/Fiber	Pk. 100	51.00
30-31-3	3 Barrel Borosil 1.2mm OD/Fiber	Pk. 100	63.00
30-31-4	4 Barrel Borosil 1.2mm OD/Fiber	Pk. 100	76.00
30-31-7	7 Barrel Borosil 1.2mm OD/Fiber	Pk. 100	112.00
30-32-0	Borosil 1.5mm OD x 1.12mm ID/Fiber	Pk. 250	122.50
30-32-1	Borosil 1.5mm OD x 0.75mm ID/Fiber	Pk. 250	122.50
30-32-2	2 Barrel Borosil 1.5mm OD/Fiber	Pk. 100	77.00
30-32-3	3 Barrel Borosil 1.5mm OD/Fiber	Pk. 100	90.00
30-32-4	4 Barrel Borosil 1.5mm OD/Fiber	Pk. 100	98.00
30-32-7	7 Barrel Borosil 1.5mm OD/Fiber	Pk. 100	120.00
30-33-0	Borosil 2.0mm OD x 1.5mm ID/Fiber	Pk. 250	132.50
30-33-1	Borosil 2.0mm OD x 1.0mm ID/Fiber	Pk. 250	132.50
30-33-1T	Borosil 2.0mm OD x 0.7mm ID/Fiber	Pk. 250	132.50
30-34-2	2 Barrel Iontophoresis Tubing	Pk. 100	75.00
30-50-2	Borosil .5mm OD x .25mm ID	Pk. 250	77.50
30-50-3	Borosil .5mm OD x .25mm ID/Fiber	Pk. 250	77.50
30-50-6	Borosil 0.7mm OD x 0.35mm ID/Fiber	Pk. 250	77.50
30-50-8	Borosil 0.7mm OD x 0.35mm ID	Pk. 250	77.50

Supplies/Cables

30-35-1	Stainless Steel Rods .005" x 6"	Pk. 250	\$ 127.50
30-35-2	Stainless Steel Rods .010" x 6"	Pk. 250	137.50
30-35-3	Stainless Steel Rods .020" x 6"	Pk. 250	145.00
30-36-1	Tungsten Rods .005" x 7"	Pk. 250	495.00
30-36-1-075	Tungsten Rods .005" x 3"	Pk. 250	297.50
30-36-2	Tungsten Rods .010" x 7"	Pk. 250	495.00
30-36-2-075	Tungsten Rods .010" x 3"	Pk. 250	297.50
30-36-8	Tungsten Rods .008" x 7"	Pk. 250	495.00
30-36-8-075	Tungsten Rods .008" x 3"	Pk. 250	297.50
30-37-1	Polyimide Tubing .0095"ODx.0080"ID	10 Ft.	158.40
30-37-1-01	Polyimide Tubing .0086"ODx.0071"ID	10 Ft.	158.40
30-37-1-02	Polyimide Tubing .0083"ODx.0063"ID	10 Ft.	158.40
30-37-2	Polyimide Tubing .0133"ODx.0113"ID	10 Ft.	158.40
30-37-3	Polyimide Tubing .0162"ODx.0142"ID	10 Ft.	158.40



Research Products

Items on this price list have **not** been cleared for use on humans.

Custom Orders

Please contact us to discuss customizing any of our products to meet your special requirements.

International Orders

Taxes, as well as duty, broker, and shipping/handling charges may add significantly to costs on deliveries outside the U.S. For quotes/orders, please contact us to get the name of our agent in your country or to work with us directly.

Terms

FOB Bowdoinham, ME U. S. A.;
Net 30 days, payable in U.S. dollars by check drawn on U.S. bank, Visa or Mastercard credit cards, wire transfer.

Quantity Discounts

Packaged items -- (PK):
5%, 4-7 pks;
10%, 8-19 pks;
15%, 20 or more pks.

Rush Orders

Standard delivery for FHC products, including micro-electrodes, is 2-4 weeks. We will make every effort to ensure that your order arrives in a timely way, and will not charge extra fees for making special trips to after-hours shippers or airports. If you need to receive your order in less than the standard delivery, and the items are not in stock, a 25% rush charge may be added to your order.

Returns

A 20% restocking fee may be charged for returned items. Custom microelectrodes cannot be returned to inventory and, therefore, are not subject to a restocking fee or refund.

Repairs

Repairs are billed at an hourly rate of \$140. A minimum half hour bench charge is applied to all repairwork.

FHC, Inc.

1201 Main St,
Bowdoin, ME 04287 USA

Phone: 207-666-8190
US & Canada: 800-326-2905
Fax: 207-666-8292

30-37-6	Polyimide Tubing .0199"ODx.0179"ID	10 Ft.	\$ 158.40
30-37-7	Polyimide Tubing .0246"ODx.0226"ID	10 Ft.	158.40
30-37-8	Polyimide Tubing .0304"ODx.0284"ID	10 Ft.	158.40
30-38-1	Pt/Ir Rods .005" x 2.5"	Pk. 50	315.00
30-38-2	Pt/Ir Rods .010" x 2.5"	Pk. 50	637.00
30-39-1	SS Fine Wire .001" (25micron) Insul	10 Ft.	50.60
30-39-2	SS Fine Wire .001" (25micron) Unins	10 Ft.	50.60
30-39-3	SS Fine Wire .002" (50micron) Insul	10 Ft.	50.60
30-39-4	SS Fine Wire .002" (50micron) Unins	10 Ft.	50.60
30-40-1	Female Amphenol Pins	Pk. 50	75.00
30-40-2	Male Amphenol Pins	Pk. 50	75.00
30-40-4	53-pos. strip for min. male pins	Ea.	18.00
30-40-5	53-pos. strip for min. female pins	Ea.	18.00
30-40-8	Crimping Tool	Ea.	464.00
30-40-9	Die for Amphenol Pins	Ea.	105.00
40-10-1	Rack Mount Assembly	Ea.	88.00
40-10-2	3-Module Cabinet	Ea.	203.50
40-10-3	Blank Front Panel (A) 7x17.8cm	Ea.	24.00
40-10-4	6 Module Cabinet	Ea.	280.00
40-10-5	Blank Module (A) 7x17.8x22.8cm	Ea.	80.00
40-10-6	Blank Module (C) 14x17.8 x 22.8cm	Ea.	104.50
40-10-7	Blank Module (D) 21x17.8 x 22.8cm	Ea.	122.00
40-10-8	Blank Front Panel (C) 14x17.8cm	Ea.	27.00
40-10-9	Blank Front Panel (D) 21x17.8cm	Ea.	29.00
40-11-1	Banana/Pin Tip Adaptor - Black	Pk. 5	25.00
40-11-2	Banana/Pin Tip Adaptor - Red	Pk. 5	25.00
40-11-3	Binding Post/BNC Adaptor - Black	Pk. 5	111.00
40-11-4	Binding Post/BNC Adaptor - Red	Pk. 5	111.00
40-11-5	BNC-BNC Adaptor	Pk. 5	111.00
40-11-6	BNC-T Adaptor	Pk. 5	171.60
40-11-7	BNC/Double Banana Adaptor	Ea.	55.00
40-11-8	Stacking Banana Plug - Black	Pk. 5	25.00
40-11-9	Stacking Banana Plug - Red	Pk. 5	25.00
40-12-2	12" Stack Banana/Banana Cord - Black	Pk. 5	75.00
40-12-3	36" Stack Banana/Banana Cord - Black	Pk. 5	85.00
40-12-4	60" Stack Banana/Banana Cord - Black	Pk. 5	100.00
40-12-6	12" Stack Banana/Banana Cord - Red	Pk. 5	75.00
40-12-7	36" Stack Banana/Banana Cord - Red	Pk. 5	85.00
40-12-8	60" Stack Banana/Banana Cord - Red	Pk. 5	100.00
40-13-1	12" BNC-BNC Coax Cable (50 Ohms)	Pk. 5	241.50
40-13-3	36" BNC-BNC Coax Cable (50 Ohms)	Pk. 5	265.00
40-13-5	60" BNC-BNC Coax Cable (50 Ohms)	Pk. 5	296.00
40-13-9	BNC Connector only	Pk. 5	72.45
40-14-1	Binding Post Bulkhead Conn. Black	Pk. 5	45.00
40-14-2	Binding Post Bulkhead Conn. Red	Pk. 5	45.00
40-15-1	Microelectrode Cable (2' Fem Amph To Tinned Lead)	Pk. 5	125.00



Items on this price list have **not** been cleared for use on humans.

Custom Orders

Please contact us to discuss customizing any of our products to meet your special requirements.

International Orders

Taxes, as well as duty, broker, and shipping/handling charges may add significantly to costs on deliveries outside the U.S. For quotes/orders, please contact us to get the name of our agent in your country or to work with us directly.

Terms

FOB Bowdoinham, ME U. S. A.; Net 30 days, payable in U.S. dollars by check drawn on U.S. bank, Visa or Mastercard credit cards, wire transfer.

Quantity Discounts

Packaged items -- (PK):
5%, 4-7 pks;
10%, 8-19 pks;
15%, 20 or more pks.

Rush Orders

Standard delivery for FHC products, including micro-electrodes, is 2-4 weeks. We will make every effort to ensure that your order arrives in a timely way, and will not charge extra fees for making special trips to after-hours shippers or airports. If you need to receive your order in less than the standard delivery, and the items are not in stock, a 25% rush charge may be added to your order.

Returns

A 20% restocking fee may be charged for returned items. Custom microelectrodes cannot be returned to inventory and, therefore, are not subject to a restocking fee or refund.

Repairs

Repairs are billed at an hourly rate of \$140. A minimum half hour bench charge is applied to all repairwork.

FHC, Inc.

1201 Main St,
Bowdoin, ME 04287 USA

Phone: 207-666-8190
US & Canada: 800-326-2905
Fax: 207-666-8292

Instrumentation

40-40-1	Xcell 3 x 4 Probe Only w/2M Cable	Ea.	\$ 1,279.00
40-40-7	Xcell-3 Microelectrode Amplifier	Ea.	2,205.00
40-40-8	Xcell-3 x 4 Channel Amplifier	Ea.	5,985.00
40-41-2	HiZx8 8 Channel Differential Amp	Ea.	8,222.00
40-41-3	HiZx8 Differential Probe w/2m Cable	Ea.	1,292.00
40-41-5	Adaptor Cable, DB-25 to 20 Pin IDC	Ea.	44.00
40-42-1	Spike Simulator	Ea.	693.00
40-43-1	Xcell-3+ Microelectrode Amplifier	Ea.	2,892.00
40-43-1-01	Xcell-3+ Microelect. Isolated Amp.	Ea.	3,465.00
40-43-2	Xcell-3+ Probe, 10x	Ea.	1,155.00
40-43-5	Xcell-3+ Extension Cable	Ea.	107.00
40-46-1	Spike Signal Enhancer	Ea.	1,040.00
40-50-1	Regulated Power Supply	Ea.	460.00
40-60-3	Z-Check/Xcell Accessory Cable	Ea.	69.00
40-73-1	Semi-Chronic Assembly 1 cm	Ea.	612.00
40-73-2	Semi-Chronic Assembly, 2 cm	Ea.	693.00
40-73-2-05	Semi-Chronic Adaptor, 3/4" Column	Ea.	410.00
40-73-7	Recording Columns, 1 cm diameter	Pk. 5	375.00
40-73-9	Recording Columns, 2 cm diameter	Pk. 5	450.00
40-75-6	Artifact Suppressor Diff. Input	Ea.	565.00
40-77-1	Microchronic Columns & Caps	Pk. 3	208.00
40-77-2	Microchronic Recording System	Ea.	548.00
40-77-3	Recording Barrels	Pk. 3	144.00
40-77-7	Electrode Tubing Kit	Pk. 3	135.00
40-77-8	Stainless Bone Screws (0-42 x 3/16")	Pk. 100	62.00
40-90-2	12.5 x 25cm Heating Pad	Ea.	122.00
40-90-2-02	25 x 25cm Heating Pad	Ea.	140.00
40-90-2-05	10 x 12.5cm Heating Pad	Ea.	123.00
40-90-2-06	6.5x 9.5cm Heating Pad	Ea.	122.00
40-90-2-07	5 x 12.5cm Heating Pad	Ea.	117.00
40-90-3	Liquid Immersion Heating Rod	Ea.	117.00
40-90-5-02	Mini Rectal Therm. Probe - 1/4" Jack	Ea.	145.00
40-90-6	Liquid Thermistor Insert	Ea.	132.00
40-90-8	DC Temp Controller	Ea.	1,475.00



Research Products

Items on this price list have **not** been cleared for use on humans.

Custom Orders

Please contact us to discuss customizing any of our products to meet your special requirements.

International Orders

Taxes, as well as duty, broker, and shipping/handling charges may add significantly to costs on deliveries outside the U.S. For quotes/orders, please contact us to get the name of our agent in your country or to work with us directly.

Terms

FOB Bowdoinham, ME U. S. A.; Net 30 days, payable in U.S. dollars by check drawn on U.S. bank, Visa or Mastercard credit cards, wire transfer.

Quantity Discounts

Packaged items -- (PK):
5%, 4-7 pks;
10%, 8-19 pks;
15%, 20 or more pks.

Rush Orders

Standard delivery for FHC products, including micro-electrodes, is 2-4 weeks. We will make every effort to ensure that your order arrives in a timely way, and will not charge extra fees for making special trips to after-hours shippers or airports. If you need to receive your order in less than the standard delivery, and the items are not in stock, a 25% rush charge may be added to your order.

Returns

A 20% restocking fee may be charged for returned items. Custom microelectrodes cannot be returned to inventory and, therefore, are not subject to a restocking fee or refund.

Repairs

Repairs are billed at an hourly rate of \$140. A minimum half hour bench charge is applied to all repairwork.

FHC, Inc.

1201 Main St,
Bowdoin, ME 04287 USA

Phone: 207-666-8190
US & Canada: 800-326-2905
Fax: 207-666-8292

50-12-1	Hydraulic Probe Drive	Ea.	\$ 1,271.00
50-12-2	Chronic Adaptor	Ea.	104.00
50-12-5	Replacement Diaphragms	Pk. 3	98.00
50-12-6	Manifold Reload Supplies	Ea.	33.00
50-12-8-02	Micrometer Drive	Ea.	975.00
50-12-9-02	Drum Drive	Ea.	1275.00
50-12-10	Hydraulic Tubing Repair Kit	Ea.	112.00
50-15-4(iin)	4 Electrode Multi-Drive Manifold	Ea.	185.00
50-15-5(iin)	8 Electrode Multi-Drive Manifold	Ea.	260.00
50-16-1-01	MCM Controller Module	Ea.	2,195.00
50-16-1-02	MCU Coupling Unit	Ea.	2,657.00
50-16-1-03	DRC-01 Remote	Ea.	462.00
50-16-1-04	ARC-01 Remote	Ea.	549.00
50-16-1-05	VRC-01 Remote	Ea.	158.00
50-16-1-10	MCM Accessory Kit	Ea.	40.00
50-16-4-01	MCM-4 Controller Unit	Ea.	5,660.00
50-16-4-02	MCU-5 Coupling Unit	Ea.	10,049.00
50-16-4-03	MCU-4 Coupling Unit	Ea.	8,201.00
50-16-4-10	MCM-4 Accessory Kit	Ea.	98.00
50-16-4-20	MCU-5 Accessory Kit	Ea.	329.00
50-16-4-30	MCU-4 Accessory Kit	Ea.	217.00
55-00-1	Desktop Power Supply	Ea.	260.00
55-00-2	Power Transfer Cable	Ea.	29.00
55-00-3	Communications Cable	Ea.	41.00
55-00-4	BNC Patch Cable	Ea.	23.00
55-00-5	1" Blank Panel for PCF	Ea.	18.00
55-00-6	Replacement USB Cord	Ea.	29.00
55-00-7	2" Blank Panel for SAF	Ea.	25.00
55-00-8	DB37 Male to Male Cable (25')	Ea.	25.00
55-00-9	Male Phono Patch Cable	Ea.	25.00
55-10-0	APM Module	Ea.	2,300.00
55-10-1	LSG Line Sync Generator	Ea.	715.00
55-11-0	SAF Rack Frame	Ea.	325.00
55-20-0	APC Acquisition/Processor Channel	Ea.	1,225.00
55-21-0	PCF Powered Channel Frame	Ea.	2,900.00
	Includes: 1 PSC and 2 UHC		
55-21-01	PSC Power Supply Channel	Ea.	375.00
55-21-02	UHC USB Channel	Ea.	520.00
55-40-0	PAU 12 Channel Differential Preamp	Ea.	1,575.00
55-40-0-03	PAU 12 Channel Preamp	Ea.	1,575.00
55-40-1-01	Switching Board for PAU	Ea.	275.00
55-40-1-06	LFP Board for PAU	Ea.	275.00
55-40-2	SCP Single Channel Preamp	Ea.	315.00
55-40-2-01	SPS Single Power Supply	Ea.	210.00
55-40-3	SCM-12 12 Channel Switching Control Module	Ea.	1,500.00
55-40-6(001)	Differential Electrode Leads	Pair	53.00
55-USA	US Line Cord	Ea.	26.00
55-50-0	ECM Experiment Control Module	Ea.	7,990.00
55-50-3	MSU Monitor Sync. Unit	Ea.	1,838.00
55-70-0	ICM Impedance Conditioning Module	Ea.	1,875.00
55-70-1	ISM Switching Unit (16 Channel)	Ea.	475.00



Research Products

Items on this price list have **not** been cleared for use on humans.

Custom Orders

Please contact us to discuss customizing any of our products to meet your special requirements.

International Orders

Taxes, as well as duty, broker, and shipping/handling charges may add significantly to costs on deliveries outside the U.S. For quotes/orders, please contact us to get the name of our agent in your country or to work with us directly.

Terms

FOB Bowdoinham, ME U. S. A.; Net 30 days, payable in U.S. dollars by check drawn on U.S. bank, Visa or Mastercard credit cards, wire transfer.

Quantity Discounts

Packaged items -- (PK):
5%, 4-7 pks;
10%, 8-19 pks;
15%, 20 or more pks.

Rush Orders

Standard delivery for FHC products, including micro-electrodes, is 2-4 weeks. We will make every effort to ensure that your order arrives in a timely way, and will not charge extra fees for making special trips to after-hours shippers or airports. If you need to receive your order in less than the standard delivery, and the items are not in stock, a 25% rush charge may be added to your order.

Returns

A 20% restocking fee may be charged for returned items. Custom microelectrodes cannot be returned to inventory and, therefore, are not subject to a restocking fee or refund.

Repairs

Repairs are billed at an hourly rate of \$140. A minimum half hour bench charge is applied to all repairwork.

FHC, Inc.

1201 Main St,
Bowdoin, ME 04287 USA

Phone: 207-666-8190
US & Canada: 800-326-2905
Fax: 207-666-8292

60-00-1	Guide Tube Drive	Ea.	947.00
60-00-2	Guide Tube Drive 45mm Fine Adj	Ea.	1,155.00
60-00-3	Guide Tube Drive 65mm Fine Adj	Ea.	1,242.00
60-00-4	GT Drive 45mm w/ Kopf Adaptor	Ea.	1,167.00
60-01-0	Fixed Rack Base	Ea.	150.00
60-02-0	Open Chamber XY Drive Base	Ea.	1,028.00
60-03-0	Closed Chamber XY Drive Base	Ea.	1,230.00
60-04-0	Open Chamber XY Drive	Ea.	1,167.00
60-10-0	Crist Adaptor for XY Drive	Ea.	64.00
74-20-3	Differential Amplifier w/Power Supply	Ea.	1,496.00
74-30-1	Audio Analyzer	Ea.	635.00
74-40-5	Rate/Interval Monitor	Ea.	1,242.00
74-40-7	Timed Counter w/DC Output	Ea.	1,484.00
74-50-5	Pulsar 6i Stimulator	Ea.	2,772.00
74-50-6	Pulsar 6b Pulse Generator	Ea.	2,021.00
74-50-8	Pulsar 6bp Stimulator	Ea.	3,841.00
74-50-8-02	Pulsar 6bp-A/S Bipolar Stimulator	Ea.	4,129.00
74-60-1	S/H Window Discrim. w/Delay Line	Ea.	2,137.00
74-60-3	S/H Window Discrim. w/o Delay Line	Ea.	1,871.00
74-60-4	Slope Height Window Discrim. x 4	Ea.	4,851.00
74-65-6	bp Optical Isolator	Ea.	1,906.00
74-65-7	bp Optical Isolator w/o Probe	Ea.	1,589.00
74-77-2	Glass Microelectrode Carrier	Ea.	116.00
74-77-3	Metal Microelectrode Carrier	Ea.	99.00
74-77-4	Electrode Carrier w/lead connection	Ea.	116.00
74-77-5	Metal & Glass Microelectrode Carrier	Ea.	116.00
74-78-1	Dual Notch Filter	Ea.	607.00
80-10-1	RT-4 Recording Tank	Ea.	1,127.00
80-10-2	SC-1 Static Recording Chamber	Ea.	197.00
80-10-3	Push/Pull Syringe System	Ea.	156.00
80-10-4	PC-1 Perfusion Chamber, 1 cm diam.	Ea.	237.00
80-10-4-01	1cm Sintered Disks	Pk. 5	75.00
80-10-4-02	Micro-Perfusion Chamber, 1cm	Ea.	237.00
80-10-6-02	TC-1 Tissue Chop. Elec. Micrometer	Ea.	1,311.00
80-11-4	PC-1 Perfusion Chamber, 2 cm diam.	Ea.	219.00
80-11-5	Replacement Teflon Base for TC-1	Ea.	22.00
80-11-6	Replacement Slicer Blades	Pk. 25	58.00
80-11-7	PT-3 Pool-type Chamber	Ea.	294.00
80-12-1	Glass Blade Holder	Ea.	122.00
80-12-2	Mounting Blocks	Pk. 3	41.00
80-12-3	Surface for 2.5" Tray Pedestal	Ea.	48.00
80-12-3-02	Surface for 3.5" Tray Pedestal	Ea.	48.00
80-12-4	Replacement Halogen Lamp	Ea.	55.00
80-12-5	3.5" (Large) Tray w/Pedestal	Ea.	406.00
80-15-2	2.5" (Standard) Tray w/Pedestal	Ea.	387.00
80-15-3	3.5" (Large) Tray Only	Ea.	263.00
80-15-3-02	3.5" Pedestal, Complete Assembly	Ea.	156.00
80-15-3-03	Fixed Stage Pedestal, Complete Assbly	Ea.	107.00
85-00-1	OTS-5000 Tissue Slicer FHC	Ea.	7,298.00
85-00-2	Tray for OTS5000	Ea.	203.00
85-00-3	Tray Pedestal	Ea.	520.00
85-00-6	Saphire Blade	Ea.	405.00
85-20-0	MRC-5000 Medium Refrigeration System	Ea.	2,100.00

Items on this price list have **not** been cleared for use on humans.

Custom Orders

Please contact us to discuss customizing any of our products to meet your special requirements.

International Orders

Taxes, as well as duty, broker, and shipping/handling charges may add significantly to costs on deliveries outside the U.S. For quotes/orders, please contact us to get the name of our agent in your country or to work with us directly.

Terms

FOB Bowdoinham, ME U. S. A.;
Net 30 days, payable in U.S. dollars by check drawn on U.S. bank, Visa or Mastercard credit cards, wire transfer.

Quantity Discounts

Packaged items -- (PK):
5%, 4-7 pks;
10%, 8-19 pks;
15%, 20 or more pks.

Rush Orders

Standard delivery for FHC products, including microelectrodes, is 2-4 weeks. We will make every effort to ensure that your order arrives in a timely way, and will not charge extra fees for making special trips to after-hours shippers or airports. If you need to receive your order in less than the standard delivery, and the items are not in stock, a 25% rush charge may be added to your order.

Returns

A 20% restocking fee may be charged for returned items. Custom microelectrodes cannot be returned to inventory and, therefore, are not subject to a restocking fee or refund.

Repairs

Repairs are billed at an hourly rate of \$140. A minimum half hour bench charge is applied to all repairwork.

FHC, Inc.
1201 Main St,
Bowdoin, ME 04287 USA

Phone: 207-666-8190
US & Canada: 800-326-2905
Fax: 207-666-8292

Microelectrode Pricing

The following section has been included to assist you in calculating the price of the various types of microelectrodes we carry. Please refer to the catalog pages for unique specifications available for each type.

UE1234567890 n/n/n Metal Microelectrodes

FHC's UE microelectrodes are sold in packages of 12 with the exception of Platinum/Iridium, which is sold in packages of 3. Prices are per electrode and subject to change without notice. To calculate the cost of metal microelectrodes, follow the formula noted, substituting the price shown for each specification.

Formula: $1 \times 2 \times 3 + (4+5+6+7+8+9+10) = \text{Price per microelectrode}$

1 Material

W and S: \$13.00
P: \$24.00

2 Electrode Length:

Multiply the Material Type by the factor listed below:

S and M: x 1.0
L: x 1.25
V: x 3.0

3 Shank Diameter:

Take the sum from above and multiply by the factor listed below:

C: x 1.5
D: x 1.30
E: x 1.15
F and G: x 1.00
H: x 1.10

4 Final Taper Angle

A, C, E, G & J no charge
B, D, F, H, & K add \$0.50ea.

5 Microelectrode Profile

S, V and C: No extra charge
T and L: Add \$1.00 ea.

6 Insulation Options

E and N: No Charge
G and S: Add \$8.00
M: Add \$1.00

7 Impedance

Add \$0.25 each if ordering more than one impedance per package

8 Tip Conditioning

N: No Charge
P and T: Add \$1.85

9 Shank Modifications

N and 1: No Charge
2: Add \$ 0.55
3 up to 150mm: Add 5.00
over 150mm: Add 12.00
4 up to 150mm: Add 3.25
over 150mm: Add 10.00
5: Add 4.50
6: Add 11.00

10 Termination Options

M and F: Add \$1.00
C and L: Add \$3.00
E, G, H, & J: No Charge

Example of a Standard Length Tungsten Microelectrode:

Fine Taper, Standard Profile

Male 220-PO2 Termination

Epoxy-lite insulated, Z=2-4M

Tungsten electrode, 0.008" dia, 70mm long

Total Length 78mm

Catalog Number: **UEWMFGSEDNNM**
Calculation: $(\$13.00) \times (1.0) \times (1.0) + (0+0+0+0+0+\$1.00)$
Price per electrode: \$14.00 or \$168.00 per package of 12

Example of a Short Length Platinum/Iridium Microelectrode:

5

110mm

5

Epoxy Seal

Polyimide .4mm OD

29ga SS Tube

Platinum / Iridium .005", Blunt tip.

Thick Solder Glass Insulation

Catalog Number: **UEPSECSGDN5H** 5 Ext/110PI/5 Exp
Calculation: $(\$24.00) \times (1.0) \times (1.15) + (0+0+8+0+0+0+\$4.50)$
Price per electrode: \$40.10 or \$120.30 per package of 3

Items on this price list have **not** been cleared for use on humans.

Custom Orders

Please contact us to discuss customizing any of our products to meet your special requirements.

International Orders

Taxes, as well as duty, broker, and shipping/handling charges may add significantly to costs on deliveries outside the U.S. For quotes/orders, please contact us to get the name of our agent in your country or to work with us directly.

Terms

FOB Bowdoinham, ME U. S. A.; Net 30 days, payable in U.S. dollars by check drawn on U.S. bank, Visa or Mastercard credit cards, wire transfer.

Quantity Discounts

Packaged items -- (PK):
5%, 4-7 pks;
10%, 8-19 pks;
15%, 20 or more pks.

Rush Orders

Standard delivery for FHC products, including microelectrodes, is 2-4 weeks. We will make every effort to ensure that your order arrives in a timely way, and will not charge extra fees for making special trips to after-hours shippers or airports. If you need to receive your order in less than the standard delivery, and the items are not in stock, a 25% rush charge may be added to your order.

Returns

A 20% restocking fee may be charged for returned items. Custom microelectrodes cannot be returned to inventory and, therefore, are not subject to a restocking fee or refund.

Repairs

Repairs are billed at an hourly rate of \$140. A minimum half hour bench charge is applied to all repairwork.

FHC, Inc.

1201 Main St,
Bowdoin, ME 04287 USA

Phone: 207-666-8190
US & Canada: 800-326-2905
Fax: 207-666-8292

Microelectrode Pricing

The following section has been included to assist you in calculating the price of the various types of microelectrodes we carry. Please refer to the catalog pages for unique specifications available for each type.

CE12345 n/n/n Cluster Electrodes

Cluster Electrodes are sold in packages of 3

To calculate the cost of cluster electrodes, follow the formula noted, substituting the price shown for each specification.

Formula:

$$1 \times 2 = \text{Price per Cluster Electrode}$$

1 Number of Contacts:

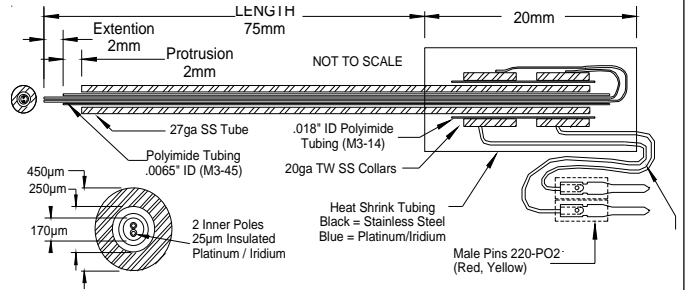
2: 2 Conductors	\$57.20 ea.
3: 3 Conductors	\$60.32 ea.
4: 4 Conductors	\$64.48 ea.
5: 5 Conductors	\$68.64 ea.

2 Electrode Material:

Multiply by the factor shown:

B:	x 2.0
C:	x 1.6
D:	x 1.4
E:	x 1.6
F:	x 1.4

Example of a 2 Conductor Cluster Electrode:



Catalog Number: **CE2C75**

Calculation: (\$57.20) x (1.6)

Price per Cluster Electrode: \$91.52 or \$274.56 per package of 3
(Please add .10 cents for every mm over 100mm)

CB123456 n/n/n Concentric Bipolar Electrodes

Concentric Bipolars are sold in packages of 3

1 Outer Pole Diameter:

A:	\$115.00 ea.
B:	\$ 56.00 ea.
C:	\$ 53.00 ea.
D:	\$ 53.00 ea.
E:	\$ 53.00 ea.
F:	\$ 53.00 ea.
G:	\$ 51.00 ea.
H:	\$ 51.00 ea.
J:	\$ 51.00 ea.

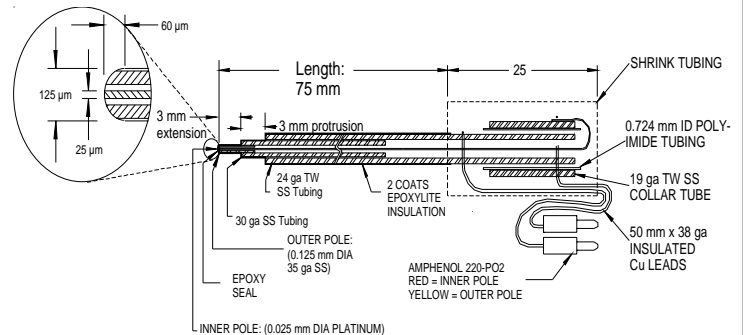
3 Inner Pole Diameter:

B, C, E, G, J and L: Multiply the price by 1.25
D, F, H, K and M: (Stainless Steel) multiply price by 1.15
"M" Tip Configuration: Add price of UE Metal Microelectrode

To calculate the cost of Concentric Bipolar Electrodes, follow the formula noted, substituting the price shown for each specification.

$$\text{Formula: } (1 \times 3) + 4,5,6 = \text{Price per Concentric Bipolar Electrode}$$

Example of 125µm Outer Pole/25µm Pt/Ir Inner Pole CB Electrode:



Catalog Number: **CBARC75**

Calculation: (115.00) x (1.25) + (0)

Price per CB Electrode: \$143.75 or \$431.25 per package of 3

Items on this price list have **not** been cleared for use on humans.

Custom Orders

Please contact us to discuss customizing any of our products to meet your special requirements.

International Orders

Taxes, as well as duty, broker, and shipping/handling charges may add significantly to costs on deliveries outside the U.S. For quotes/orders, please contact us to get the name of our agent in your country or to work with us directly.

Terms

FOB Bowdoinham, ME U. S. A.;
Net 30 days, payable in U.S. dollars by check drawn on U.S. bank, Visa or Mastercard credit cards, wire transfer.

Quantity Discounts

Packaged items -- (PK):
5%, 4-7 pks;
10%, 8-19 pks;
15%, 20 or more pks.

Rush Orders

Standard delivery for FHC products, including micro-electrodes, is 2-4 weeks. We will make every effort to ensure that your order arrives in a timely way, and will not charge extra fees for making special trips to after-hours shippers or airports. If you need to receive your order in less than the standard delivery, and the items are not in stock, a 25% rush charge may be added to your order.

Returns

A 20% restocking fee may be charged for returned items. Custom microelectrodes cannot be returned to inventory and, therefore, are not subject to a restocking fee or refund.

Repairs

Repairs are billed at an hourly rate of \$140. A minimum half hour bench charge is applied to all repairwork.

FHC, Inc.

1201 Main St,
Bowdoin, ME 04287 USA

Phone: 207-666-8190
US & Canada: 800-326-2905
Fax: 207-666-8292

Microelectrode Pricing

The following section has been included to assist you in calculating the price of the various types of microelectrodes we carry. Please refer to the catalog pages for unique specifications available for each type.

UN123456 (iin) Microneurography Needles

Microneurography needles are packaged in boxes of 12 Active Needles, 12 Reference Needles, or pairs of 6 Reference and 6 Active Needles.

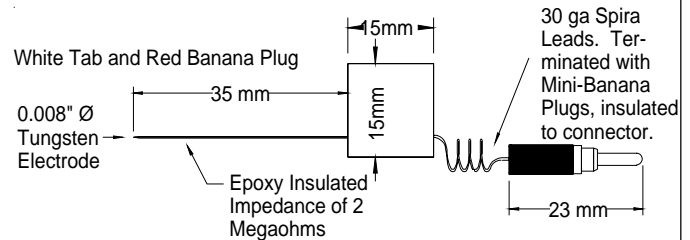
To calculate the cost of Microneurography Needles, follow the formula noted, substituting the price shown for each specification.

Formula: 1 + 2,3 + 4 + 6 = Package price of Microneurography Needles

1 Configuration

A: \$155.00/pkg of 12
R: \$75.00/pkg of 12
P: \$115.00/pkg of 6 pair

Example of Microneurography Active Needle:



2,3 Length:

Up to 60mm: No Charge
60 to 130mm: Add \$11.25/pkg

4 Diameter:

E: Add \$11.30/pkg 12
F and G: No Charge

5 Impedance:

No Charge

6 Termination:

D, E, G, H and J: No Charge
R and S: \$28.00/pkg 12
T and L: \$40.00/pkg 12
U: \$59.00/pkg 12
M: \$12.00/pkg 12

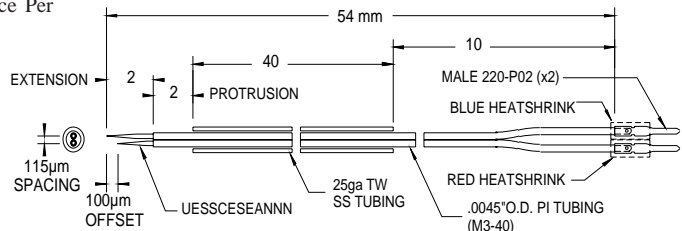
Catalog Number: **UNA35F2U**
Calculation: (\$155.00) + (0) + (0) + (\$59.00)
Package price for 12 Active Electrodes: \$214.00

MX 12345 (iin) Matrix Electrode

For contacts greater than 9, please call for pricing. To calculate the cost of Matrix Electrodes, follow the formula noted, substituting the price shown for each specification.

Formula:
(1 x 2 + 1) x (3) x (5) + (4) = Price Per Matrix Electrode

1,2 Number of Contacts + 1
3 Spacing Factor
multiply by 1.0 for 240 micron and greater spacing
multiply by 1.2 for 220 micron and smaller spacing.
4 For Connector C or D add \$2.50 per contact.
5 Material Cost of individual electrodes used:
Tungsten or Stainless Steel: \$16.00
Platinum/Iridium: \$36.00



Example of a Matrix Electrode:

Catalog Number: **MX21AES(DH1)**

Calculation: (1 x 2 + 1) x (1.2) x (16.00)
Price per MX electrode: \$57.60 or \$172.80 per package of 3



Research Products

Items on this price list have **not** been cleared for use on humans.

Custom Orders

Please contact us to discuss customizing any of our products to meet your special requirements.

International Orders

Taxes, as well as duty, broker, and shipping/handling charges may add significantly to costs on deliveries outside the U.S. For quotes/orders, please contact us to get the name of our agent in your country or to work with us directly.

Terms

FOB Bowdoinham, ME U. S. A.;
Net 30 days, payable in U.S. dollars by check drawn on U.S. bank, Visa or Mastercard credit cards, wire transfer.

Quantity Discounts

Packaged items -- (PK):
5%, 4-7 pks;
10%, 8-19 pks;
15%, 20 or more pks.

Rush Orders

Standard delivery for FHC products, including microelectrodes, is 2-4 weeks. We will make every effort to ensure that your order arrives in a timely way, and will not charge extra fees for making special trips to after-hours shippers or airports. If you need to receive your order in less than the standard delivery, and the items are not in stock, a 25% rush charge may be added to your order.

Returns

A 20% restocking fee may be charged for returned items. Custom microelectrodes cannot be returned to inventory and, therefore, are not subject to a restocking fee or refund.

Repairs

Repairs are billed at an hourly rate of \$140. A minimum half hour bench charge is applied to all repairwork.

FHC, Inc.

1201 Main St,
Bowdoin, ME 04287 USA
Phone: 207-666-8190
US & Canada: 800-326-2905
Fax: 207-666-8292

Microelectrode Pricing

The following section has been included to assist you in calculating the price of the various types of microelectrodes we carry. Please refer to the catalog pages for unique specifications available for each type.

PB₁₂₃₄₅₆₇ n/n/n Parallel Bipolar Electrodes

All Parallel Bipolar Electrodes are sold in packages of 3

To calculate the cost of Microneurography Needles, follow the formula noted, substituting the price shown for each specification.

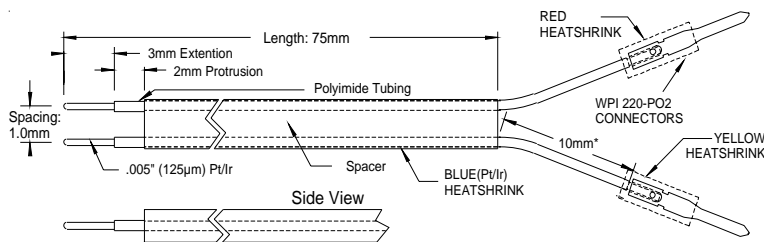
Formula: (1) + (2 x 5,6,7) = Price per Parallel Bipolar Electrode

1 Base Price Configuration	2 Material
All: \$52.00/each	A: \$0.06/mm
	B: \$0.10/mm
	C and D: \$0.03/mm

Material Costs:

Total material charge is determined by multiplying the material cost by the length in mm as specified by factors #5, #6 and #7.

Example of a Parallel Bipolar Electrode:



Catalog Number: **PBSA10075**

Calculation: (\$52.00) + (.06 X 75)

Price per electrode: \$56.50 each or \$169.50 per package of 3