

Lower Guide for STar™ Drive M/E

Directions For Use

70-LG-01 / L011-55
(Rev. A0, October 2009)



"Innovation through collaboration"



FHC, Inc.
1201 Main Street
Bowdoin, ME 04287 USA
Fax: +1-207-666-8292
Email: fhcinc@fh-co.com
www.fh-co.com



24 hour technical service:
1-800-326-2905 (US & Can)
+1-207-666-8190



FHC Europe
(TERMOBIT PROD srl)
129 Barbu Vacarescu Str, Sector 2
Bucharest 020272
Romania

70-LG-01 / L011-55

Lower Guide for STar Drive M/E

Target distance using standard microTargeting™ Stereotactic adapter with the microTargeting™ STar™ Drive set at zero and fully advanced microelectrodes mT type D (ARx)

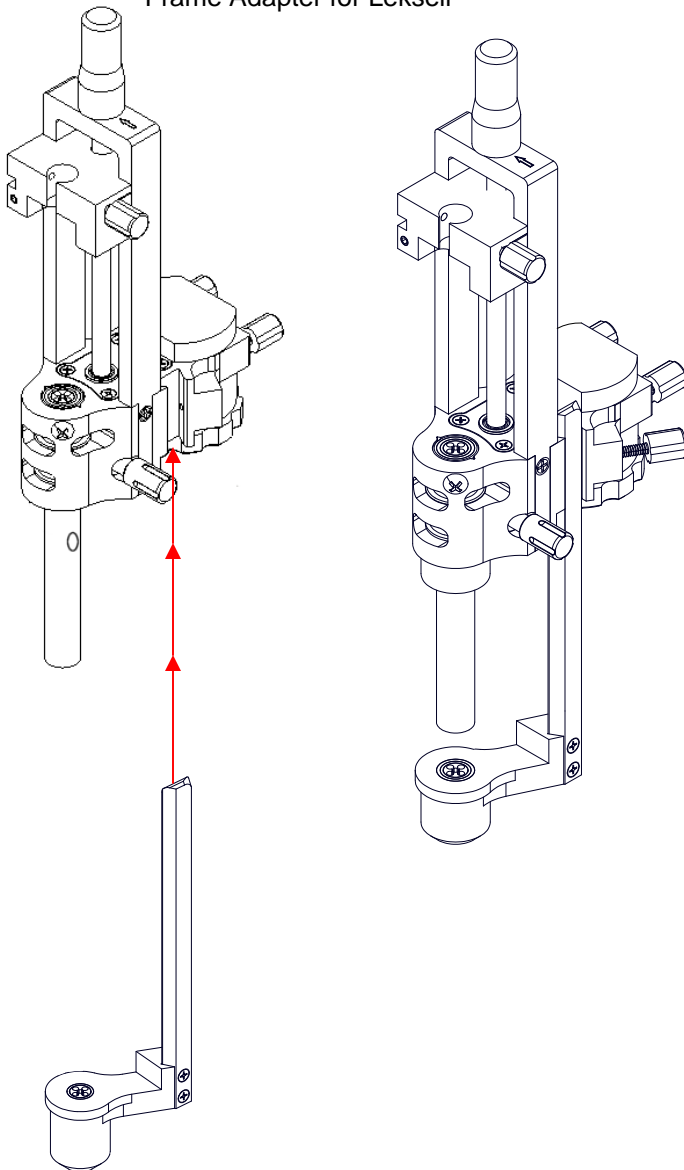


WARNING: Do not use the STar™ Insertion Tube Extractor with any tubes other than STar™ Array Insertion Tubes.



WARNING: See microTargeting™ Drive DFU (L011-1006-01) for Insertion Tubes inspection procedure (page 8). The DFU can be found at www.fh-co.com or by calling our 24 hour Technical Service line.

M/E Drive shown with STar™
Frame Adapter for Leksell



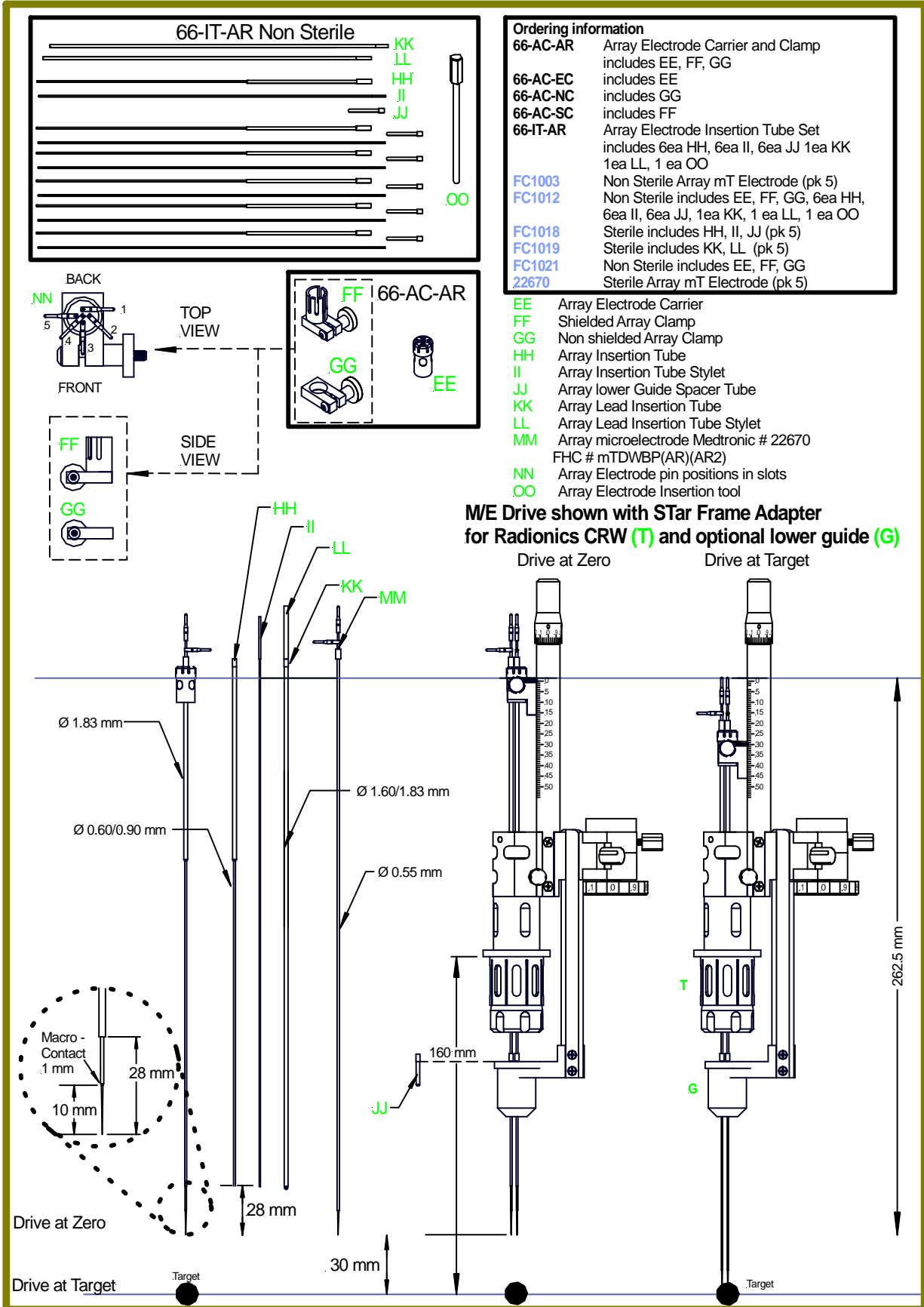
M/E Drive shown with STar™
Frame Adapter for Radionics



Following sterilization, before reassembling the drive system, use a damp sterile distilled water cloth to wipe off the dovetail of the Lower Guide so the residue does not affect the sliding of the dovetail into the drive.

Confirm that the pylon slides smoothly up within the STar™ Drive M/E and secure by tightening the knob.

Array Electrode frame configuration



Refer to L011-1006-01 for step by step description

L012-MTSTARSYSB-090716